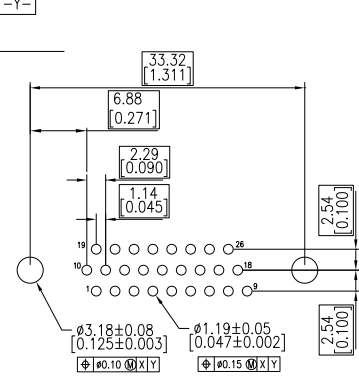
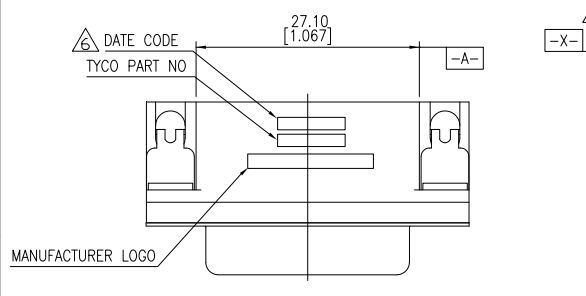
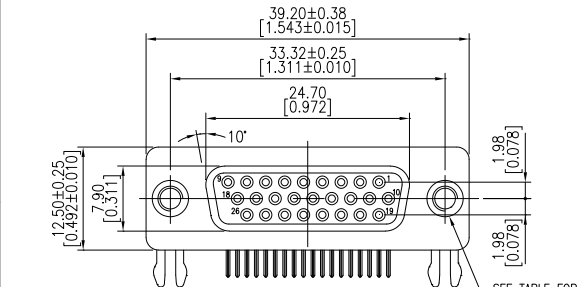


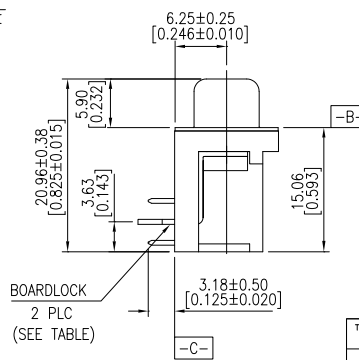
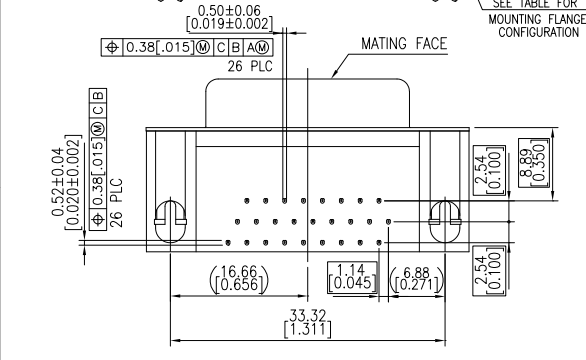
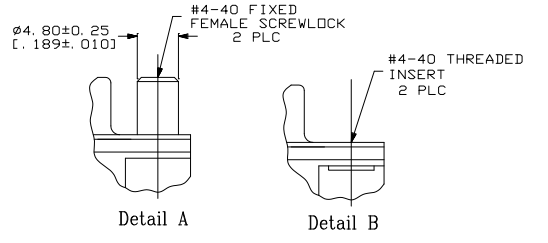
LOC		REVISIONS	
GP	00	F LWR	DESCRIPTION
		D1	REVISED PER ECO-11-004835
		DATE	11MAR11
		BY	RK HMR



- HOUSING: PBT, 30% GF POLYESTER, UL 94V-0 RATED, COLOR BLACK.
- CONTACTS: PHOSPHOR BRONZE, GOLD PLATE IN MATING AREA (SEE TABLE), 120 $\mu$  MIN TIN PLATE ON SOLDER TAIL, BOTH OVER 50 $\mu$  MIN NICKEL UNDERPLATE.
- SHELL: STEEL, NICKEL PLATE.
- BOARDLOCK: BRASS, TIN PLATE 100 $\mu$  MIN.
- FEMALE SCREWLOCK: BRASS, NICKEL PLATE 30 $\mu$  MIN.
- FOUR DIGIT DATE CODE IN THIS FORMAT:  
YEAR   01   MANUFACTURING WEEK   45
- DATUMS -X- & -Y- TO BE ESTABLISHED BY CUSTOMER.



RECOMMENDED PCB LAYOUT



OBSOLETE	NO	Tray	Detail B	Gold flash	2-5748481-7
OBSOLETE	NO	Tray	Detail B	15 $\mu$ MIN GOLD	2-5748481-6
OBSOLETE	YES	Tray	Detail A	Gold flash	2-5748481-5
OBSOLETE	YES	Tray	Detail A	15 $\mu$ MIN GOLD	2-5748481-4
OBSOLETE	YES	Tray	Detail B	Gold flash	2-5748481-3
OBSOLETE	YES	Tray	Detail B	15 $\mu$ MIN GOLD	2-5748481-2
	NO	Tray	Detail B	30 $\mu$ MIN GOLD	1-5748481-9
	YES	Tray	Detail A	30 $\mu$ MIN GOLD	5748481-6
	YES	Tray	Detail B	30 $\mu$ MIN GOLD	5748481-5
		BOARDLOCK	Packaging	Mounting Flange	Contact Mating Area Finish
					Part No

THIS DRAWING IS A CONTROLLED DOCUMENT.		BY: RICHARDSON 31MAY05	TE Connectivity	
DIMENSIONS: mm [INCHES]		CHK: S. BOLASH 31MAY05	AMPLITE HD-22	
TOLERANCES UNLESS OTHERWISE SPECIFIED		APP: M. MALMSLEY 31MAY05	26 POS RECEPTACLE, RIGHT ANGLE	
0 PLC ± .30		PRODUCT SPEC: -	RESTRICTED TO	
1 PLC ± 0.30		APPLICATION SPEC: -	SIZE: A2	CAGE CODE: 00779
2 PLC ± 0.30		WEIGHT: -	DRAWING NO: C-5748481	SCALE: 1:1
3 PLC ± 0.10		FINISH: -	SHEET: 1 of 1	
4 PLC ± .5			REV: D1	
MATERIAL: -		CUSTOMER DRAWING		