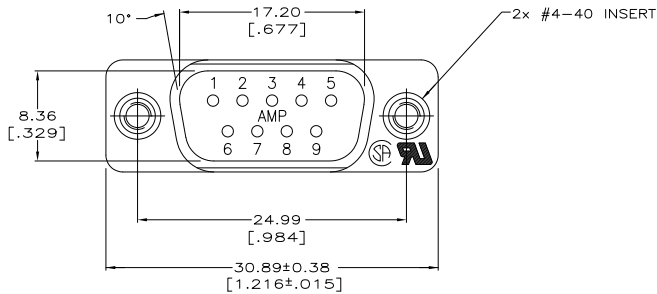
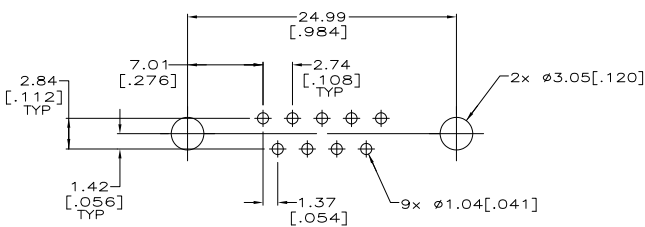
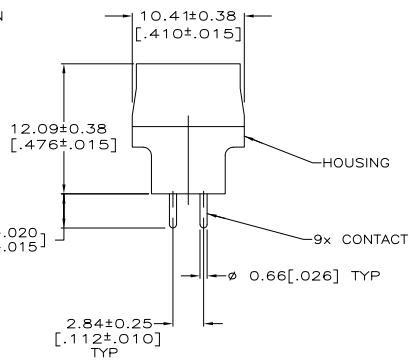
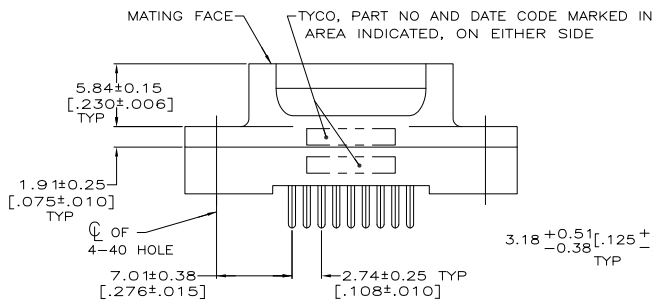


THE DRAWING IS UNPUBLISHED.
 © COPYRIGHT - BY -
 RELEASED FOR PUBLICATION
 ALL RIGHTS RESERVED.

| REV | DATE | DESCRIPTION | BY | APP'D |
|-------|---------|---------------------------|----|-------|
| GP 00 | | | | |
| A1 | 11MAR11 | REVISED PER ECO-11-004835 | RK | HMR |



- △ HOUSING: BLACK POLYESTER, UL 94V-0 RATED; CONTACTS: BRASS
 INSERTS: BRASS
- △ GOLD PLATED FOR A LENGTH OF 3.81 [.150] MIN FROM MATING END, GOLD FLASH IN MATED AREA, 2.54μm [.00010] MIN TIN ON OPPOSITE END, ALL OVER 1.27 μm [.000050] MIN NICKLE.
- △ GOLD PLATED FOR A LENGTH OF 3.81 [.150] MIN FROM MATING END, 0.76μm [.000030] MIN GOLD IN MATED AREA, 2.54μm [.000100] MIN TIN ON OPPOSITE END, ALL OVER 1.27μm [.000050] MIN NICKEL
 -OR-
 GOLD FLASH OVER PALLADIUM NICKEL PLATED FOR LENGTH OF 3.81 [.150] MIN FROM MATING END, 0.76μm [.000030] MIN PALLADIUM NICKEL IN MATED AREA, 2.54μm [.000100] MIN TIN ON OPPOSITE END, ALL OVER 1.27μm [.000050] MIN NICKEL.



| | |
|----------------|-----------|
| △ | 5745051-2 |
| △ | 5745051-1 |
| CONTACT FINISH | PART NO |

| | | | | |
|--|--|------------------|------------|---------|
| THIS DRAWING IS A CONTROLLED DOCUMENT. | | DN | G.PETERS | 12SEP05 |
| DIMENSIONS: mm[INCHES] | | DR | S.BOLASH | 12SEP05 |
| TOLERANCES UNLESS OTHERWISE SPECIFIED: | | APP'D | M.WALMSLEY | 12SEP05 |
| APPROVALS: | | PRODUCT SPEC | 108-40025 | |
| APPLICATION SPEC | | SIZE | A2 | 00779 |
| MATERIAL | | WEIGHT | | 5745051 |
| FINISH | | CUSTOMER DRAWING | | |

TE TE Connectivity

PLUG ASSEMBLY, SIZE 1,
 9 POSN, VERTICAL,
 AMPLIMITE HD-20

RESTRICTED TO

**COPYRIGHT 2005
 TE CONNECTIVITY CORP
 ALL RIGHTS RESERVED**