

4

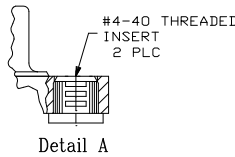
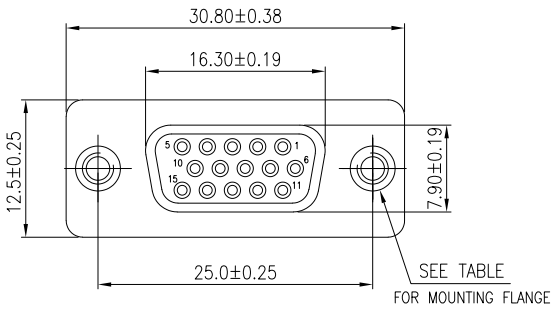
3

2

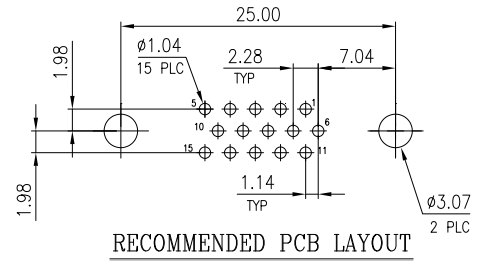
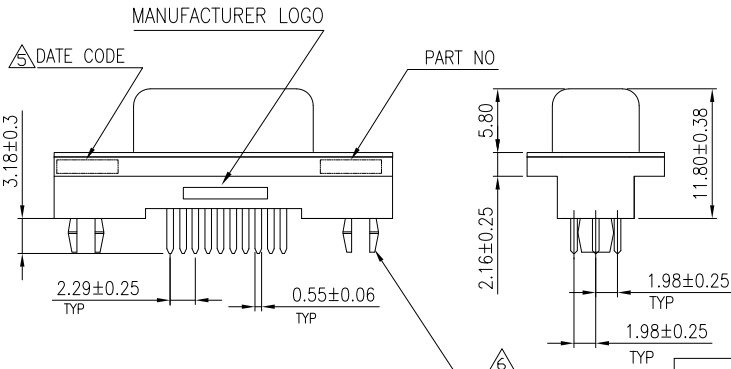
1

THIS DRAWING IS UNPUBLISHED. RELEASED FOR PUBLICATION. ALL RIGHTS RESERVED.

LOC	DIST	REVISIONS					
GP	00	F	LNK	DESCRIPTION	DATE	BY	APPD
		C1		REVISED PER ECO-11-004835	11MAR11	RK	HMR



- HOUSING: PBT, 30% GF POLYESTER, UL 94V-0 RATED, COLOR BLACK.
 - CONTACTS: PHOSPHOR BRONZE, GOLD PLATE IN MATING AREA (SEE TABLE), 120u" MIN TIN PLATE ON SOLDER TAIL, BOTH OVER 50u" MIN NICKEL UNDERPLATE.
 - SHELL: STEEL, NICKEL PLATE.
 - THREADED INSERTS AND BOARDLOCKS: BRASS, 30u" MIN NICKEL PLATE (-1 & -7); 100u" MIN TIN PLATE OVER 50u" MIN NICKEL UNDERPLATE (-3).
- △ 5 FOUR DIGIT DATE CODE IN THIS FORMAT.
 YEAR 01 45 MANUFACTURING WEEK
- △ 6 MAXIMUM SHAFT LENGTH OF SCREWLOCK TO ALLOW THE SCREWLOCK HEAD TO SIT FLAT ON S-SUB IS 4.70. RECOMMENDED TE CONNECTIVITY SCREWLOCK IS 5747877-3.



5749374-3 SHOWN

△ 6 BOARDLOCK 2 PLC (SEE TABLE)

OBSOLETE	Yes/No	Tray/Packaging	Detail A/Mounting Flange Config	15 μ" MIN GOLD / 30 μ" MIN GOLD / Contact Mating Area Finish	5749374-7 / 5749374-3 / 5749374-1 / Part No
	No	Tray	Detail A	15 μ" MIN GOLD	5749374-7
	Yes	Tray	Detail A	30 μ" MIN GOLD	△ 6 5749374-3
	No	Tray	Detail A	30 μ" MIN GOLD	5749374-1
	BOARDLOCK	Packaging	Mounting Flange Config	Contact Mating Area Finish	Part No

THIS DRAWING IS A CONTROLLED DOCUMENT.		DRN R. RICHARDSON 31MAY05	TE Connectivity	
DIMENSIONS: mm		CHK S. BOLASH 31MAY05	AMPLIMITE HD-22 15 POS RECEPTACLE, VERTICAL	
TOLERANCES UNLESS OTHERWISE SPECIFIED:		APPD M. MALMSLEY 31MAY05	SIZE CASE CODE DRAWING NO RESTRICTED TO	
0 PLC ± -	1 PLC ± 0.30	PRODUCT SPEC 108-1092	A2 00779 C=5749374	
2 PLC ± 0.50	3 PLC ± 0.10	APPLICATION SPEC 114-13199	SCALE 1:1 SHEET 1 of 1 REV C1	
4 PLC ± ± ±	ANGLES ± ± ±	FINISH	CUSTOMER DRAWING	