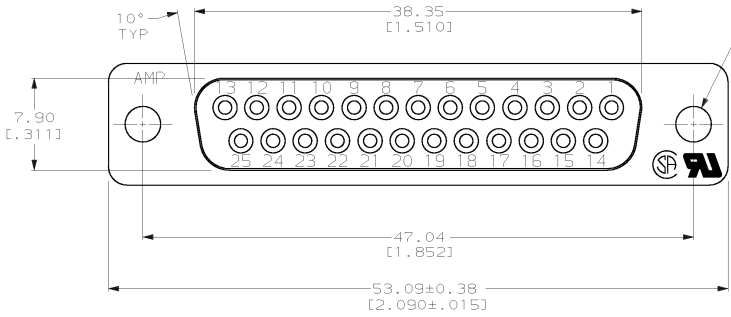
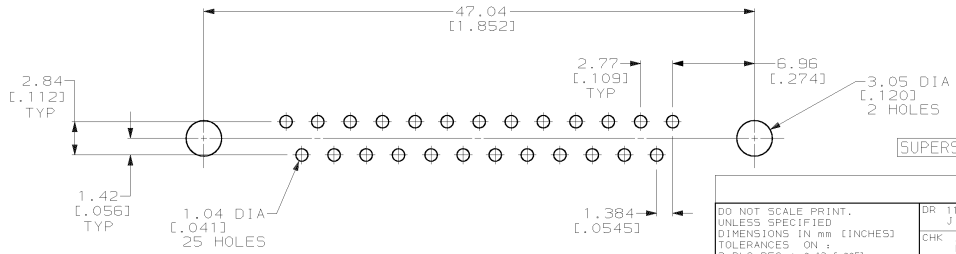
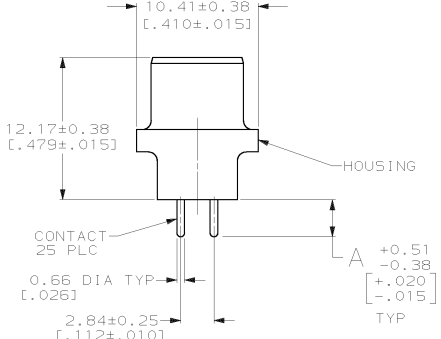
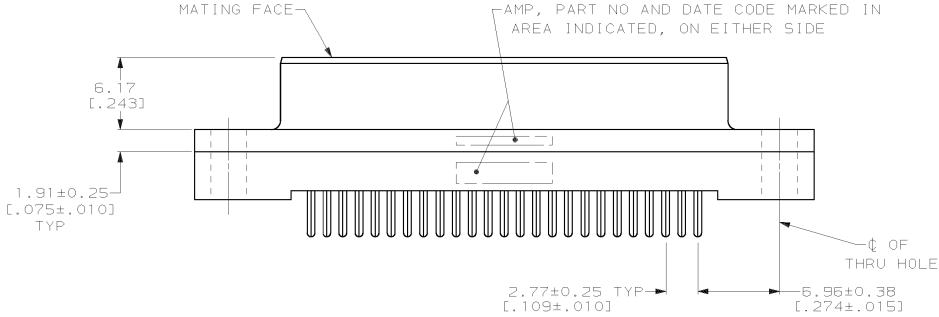


THIS DRAWING IS UNPUBLISHED. RELEASED FOR PUBLICATION .19
 © COPYRIGHT 19 BY AMP INCORPORATED. ALL INTERNATIONAL RIGHTS RESERVED.

REVISIONS								
LOC	QTY	P	F	ZONE	LTR	DESCRIPTION	DATE	APPD
GP	00				H	REVISED PER EC 0513-0017-03	13M103	JG



- ① HOUSING: BLACK POLYESTER, UL 94V-0 RATED; CONTACTS: PHOSPHOR BRONZE PER 00-B-750.
- ② GOLD PLATING PER MIL-G-45204, TIN PLATING PER MIL-T-10727, NICKEL PLATING PER 00-N-290.
- ③ GOLD FLASH FOR A LENGTH OF 3.81 [1.50] MIN FROM MATING END, 2.54µm [0.000100] MIN TIN OR TIN-LEAD FOR A LENGTH OF DIMENSION A FROM OPPOSITE END, ALL OVER 1.27µm [0.000050] MIN NICKEL.
- ④ 0.76µm [0.000030] MIN GOLD FOR A LENGTH OF 3.81 [1.50] MIN FROM MATING END, 2.54µm [0.000100] MIN TIN OR TIN-LEAD FOR A LENGTH OF DIMENSION A FROM OPPOSITE END, ALL OVER 1.27µm [0.000050] MIN NICKEL.



OBSOLETE	6.35 [0.250]	③ ④	207828-8
OBSOLETE	6.35 [0.250]	③ ④	207828-7
OBSOLETE	4.32 [0.170]	③ ④	207828-6
OBSOLETE	4.32 [0.170]	③ ④	207828-5
	3.18 [0.125]	③ ④	207828-4
	3.18 [0.125]	③ ④	207828-3
	3.56 [0.140]	③ ④	207828-2
	3.56 [0.140]	③ ④	207828-1

RECOMMENDED PC BOARD MOUNTING DIMENSIONS

DO NOT SCALE PRINT. UNLESS SPECIFIED DIMENSIONS IN mm (INCHES) TOLERANCES ON:		DR 11-16-89 J McCLINTON		AMP INCORPORATED Harrisburg, Pa. 17105	
2 PLC DEC ± 0.13 [0.005]	3 PLC DEC ± 0.13 [0.005]	CHK 2-2-90 R. STONE	APPD 2-2-90 S. SCHEFFERLY	NAME RECEPTACLE ASSEMBLY, SIZE 3, 25 POSN, VERTICAL, AMPLIMITE® HD-20	
MATERIAL		APPD 2-2-90 C. RÖHDE	PRODUCT SPEC 108-40025	SIZE C	CAGE CODE 00779
FINISH		APPLICATION SPEC		DRAWING NO 207828	
CONTACT: SEE TABLE		WEIGHT		SCALE 4:1	SHEET 1 OF 1