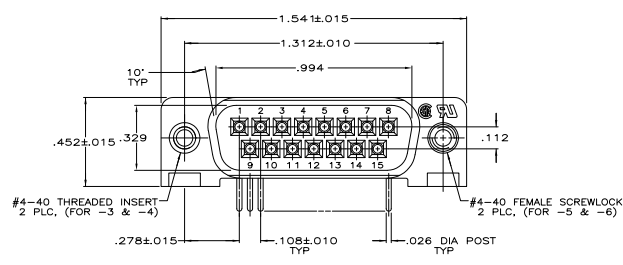
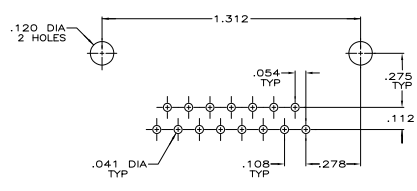
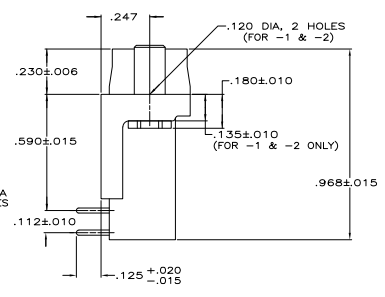
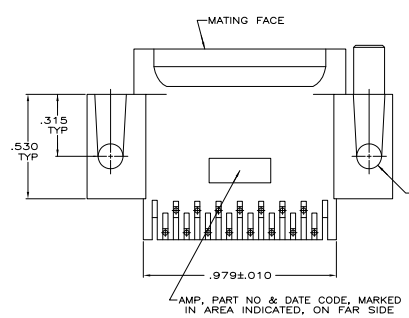


REV	DATE	DESCRIPTION	BY	CHK	APP
00					
01		REVISED FOR ECO-06-02833A			



- ▲ MOLDED PARTS: FLAME RETARDANT, 94V-0 RATED, GLASS FILLED NYLON OR POLYESTER, BLACK
- CONTACTS: BRASS
- HARDWARE: ZINC
- ▲ CONTACTS: SEE TABLE
- HARDWARE: CLEAR CHROMATE
- ▲ REFER TO APPLICATION SPEC FOR RECOMMENDED P.C. BOARD MOUNTING DIMENSIONS FOR AUTOMATIC INSERTION.
- ▲ GOLD PLATED FOR A LENGTH OF .150 MIN FROM MATING END, GOLD FLASH IN MATED AREA, WITH POINT OF MEASUREMENT .075 FROM MATING END OF CONTACT, .000100-.000200 TIN OR TIN-LEAD ON SOLDER END, ALL OVER .000050 MIN NICKEL ON ENTIRE CONTACT.
- ▲ GOLD PLATED FOR LENGTH OF .150 MIN FROM MATING END, .000030 MIN GOLD IN MATED AREA, WITH POINT OF MEASUREMENT .075 FROM MATING END OF CONTACT, .000100-.000200 TIN OR TIN-LEAD ON SOLDER END, ALL OVER .000050 MIN NICKEL.
- ▲ GOLD FLASH OVER PALLADIUM NICKEL PLATED FOR A LENGTH OF .150 MIN FROM MATING END, .000030 MIN GOLD IN MATED AREA, WITH POINT OF MEASUREMENT .075 FROM MATING END OF CONTACT, .000100-.000200 TIN OR TIN-LEAD ON SOLDER END, ALL OVER .000050 MIN NICKEL.



P.C. BOARD MOUNTING DIMENSIONS ▲

SUPSD BY	REVISION	REMARKS	FINISH	PART NUMBER
748952-1	WITH SCREWLOCKS	▲		747468-6
	OBSOLETE WITH SCREWLOCKS	▲		747468-5
748872-1	WITH INSERTS	▲		747468-4
	OBSOLETE WITH INSERTS	▲		747468-3
	WITH .120 DIA HOLE	▲		747468-2
747468-2	WITH .120 DIA HOLE	▲		747468-1

THIS DRAWING IS A CONTROLLED DOCUMENT.		REVISED	DATE	BY	CHK	APP
DESIGNED BY	DESIGNED	DATE	BY	CHK	APP	
DRAWN BY	DRAWN	DATE	BY	CHK	APP	
CHECKED BY	CHECKED	DATE	BY	CHK	APP	
APPROVED BY	APPROVED	DATE	BY	CHK	APP	
CUSTOMER DRAWING		DATE	BY	CHK	APP	