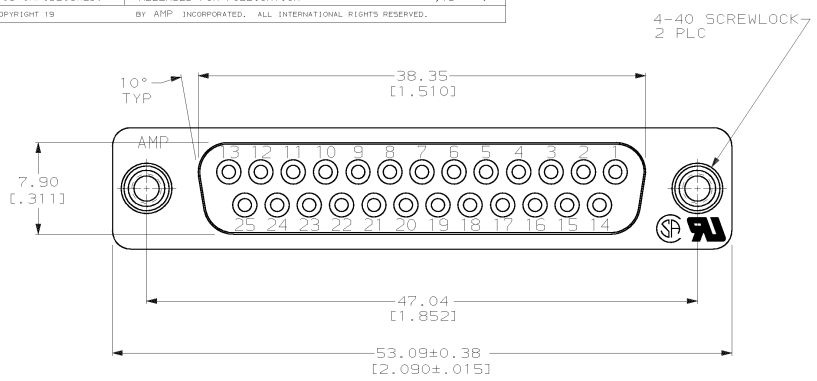
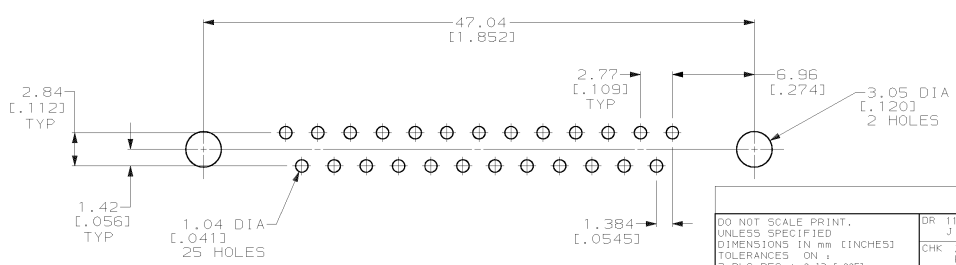
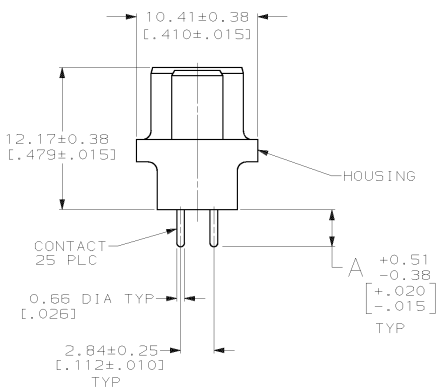
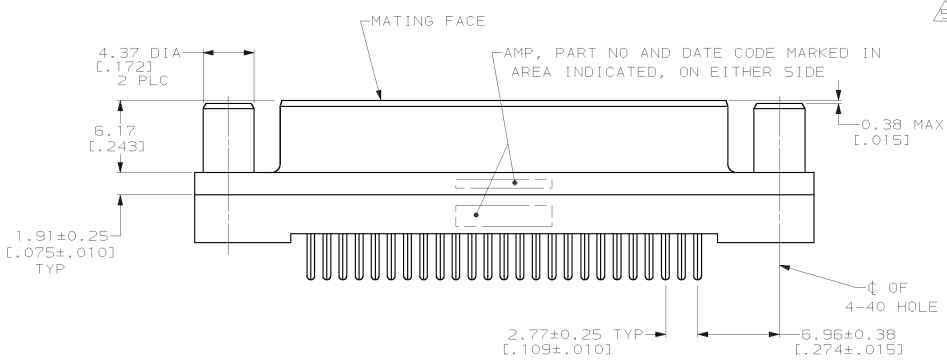


DRAWING MADE IN THIRD ANGLE PROJECTION  
 THIS DRAWING IS UNPUBLISHED. RELEASED FOR PUBLICATION  
 © COPYRIGHT 19 BY AMP INCORPORATED. ALL INTERNATIONAL RIGHTS RESERVED.

LOC	DIST	P	F	ZONE	LTR	DESCRIPTION	DATE	APPD
BD	77					REVISED		
					C	PEDRAWN & REVISED, ECN BD3361	11-89	SS
					D	REV PER ECN BD4888	05/16/91	-
					E	OBSOLETE -8 EC 0020-625-93	09/15/93	CR
					F	OBS -7 AND REV PER OUTD-0126-00	01 NOV 00	RF



- 1 HOUSING: BLACK POLYESTER, UL 94V-0 RATED; CONTACTS: PHOSPHOR BRONZE PER QQ-B-750; SCREWLOCKS: BRASS PER QQ-B-626.
- 2 GOLD PLATING PER MIL-G-45204, TIN PLATING PER MIL-T-10727, NICKEL PLATING PER QQ-N-290, COPPER PLATING PER MIL-C-14550.
- 3 GOLD FLASH FOR A LENGTH OF 2.54[.100] MIN FROM MATING END, 2.54µm[.000100] MIN TIN OR TIN-LEAD FOR A LENGTH OF DIMENSION A FROM OPPOSITE END, ALL OVER 1.27µm[.000050] MIN NICKEL.
- 4 0.76µm[.000030] MIN GOLD FOR A LENGTH OF 2.54[.100] MIN FROM MATING END, 2.54µm[.000100] MIN TIN OR TIN-LEAD FOR A LENGTH OF DIMENSION A FROM OPPOSITE END, ALL OVER 1.27µm[.000050] MIN NICKEL.
- 5 1.27µm[.000050] MIN NICKEL OVER COPPER FLASH.



REV	DESCRIPTION	DATE	APPD
OBSOLETE	6.35 [.250]		745078-8
OBSOLETE	6.35 [.250]		745078-7
	4.32 [.170]		745078-6
	4.32 [.170]		745078-5
	3.18 [.125]		745078-4
	3.18 [.125]		745078-3

RECOMMENDED PC BOARD MOUNTING DIMENSIONS

DO NOT SCALE PRINT. UNLESS SPECIFIED DIMENSIONS IN mm (INCHES) TOLERANCES ON : 2 PLC DEC ± 0.13 (.005) 3 PLC DEC ± ANGLES ± 2°		DR 11-16-89 J McCLINTON	AMP INCORPORATED Harrisburg, Pa. 17105	
MATERIAL	FINISH	CHK 2-2-90 R. STONE	NAME	RECEPTACLE ASSEMBLY, SIZE 3, 25 POSN, VERTICAL, AMPLIMITE® HD-20
CONTACT: SEE TABLE	SCREWLOCK: 4-40	APPD 2-2-90 S. SCHIEFERLY	PRODUCT SPEC	108-40025
		APPD 2-2-90 C. RGHDE	APPLICATION SPEC	
			SIZE	CAGE CODE
			00779	DRAWING NO
				745078
			SCALE	4:1
			WEIGHT	
				SHEET 1 OF 1

CUSTOMER DRAWING