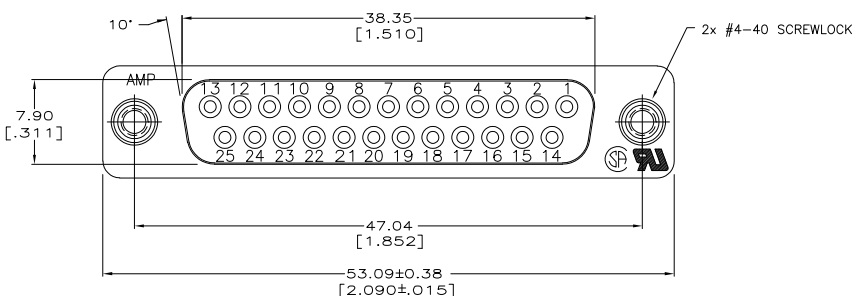
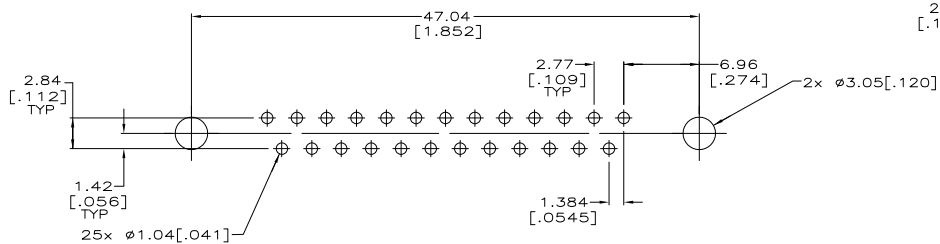
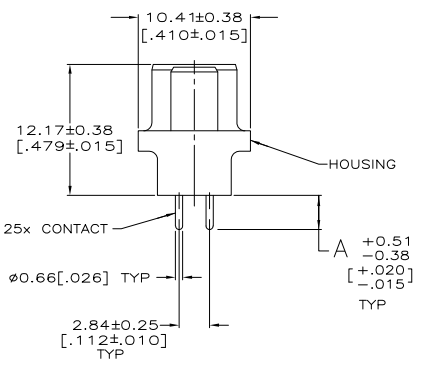
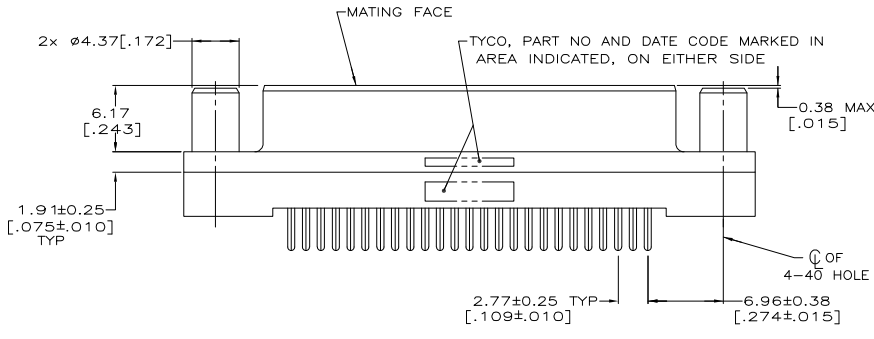


THE DRAWING IS UNPUBLISHED.  
 RELEASED FOR PUBLICATION  
 BY TYCO ELECTRONICS CORPORATION. ALL RIGHTS RESERVED.

LOC	QTY	REV	DESCRIPTION	DATE	BY	APP
GP	00	0	RELEASED PER EC 0513-0087-05	14SEP05	GP	JG



- 1 HOUSING: BLACK POLYESTER, UL 94V-0 RATED; CONTACTS: CONTACTS: PHOSPHOR BRONZE; SCREWLOCKS: BRASS.
- 2 CONTACTS: SEE TABLE.  
SCREWLOCKS: 1.27µm[.000050] MIN NICKEL OVER COPPER FLASH.
- 3 GOLD FLASH FOR A LENGTH OF 2.54[.100] MIN FROM MATING END, 2.54µm[.000100] MIN TIN FOR A LENGTH OF DIMENSION A FROM OPPOSITE END, ALL OVER 1.27µm[.000050] MIN NICKEL.
- 4 0.76µm[.000030] MIN GOLD FOR A LENGTH OF 2.54[.100] MIN FROM MATING END, 2.54µm[.000100] MIN TIN FOR A LENGTH OF DIMENSION A FROM OPPOSITE END, ALL OVER 1.27µm[.000050] MIN NICKEL.



RECOMMENDED PC BOARD MOUNTING DIMENSIONS

4.32 [.170]	3	5745078-6
4.32 [.170]	3	5745078-5
3.18 [.125]	3	5745078-4
3.18 [.125]	3	5745078-3

**COPYRIGHT 2005  
 TYCO ELECTRONICS CORP  
 ALL RIGHTS RESERVED**

THIS DRAWING IS A CONTROLLED DOCUMENT. DWN G. PETERS 14SEP05  
 S. BOLASH 14SEP05  
 M. WALMSLEY 14SEP05

DIMENSIONS:	TOLERANCES UNLESS OTHERWISE SPECIFIED:	APPROVALS:	REVISIONS:
mm [INCHES]	0 PUC # - 1 PUC # - 2 PUC # 0.13 [005] 3 PUC # - 4 PUC # -	APPROVED: M. WALMSLEY	108-40025
		APPLICATION SPEC	
		WEIGHT	SIZE CAGE CODE DRAWING NO
		CUSTOMER DRAWING	A2 00779 5745078

RECEPTACLE ASSEMBLY, SIZE 3,  
 25 POSN, VERTICAL,  
 AMPLIMITE HD-20

SCALE 4:1 SHEET 1 of 1 REV 0

AMP 1471-9 REV 31MAR2000

5745078