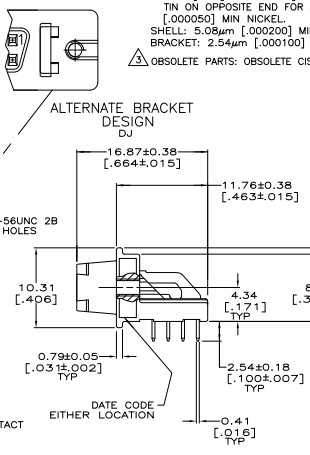
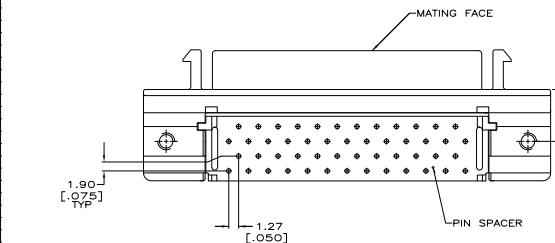
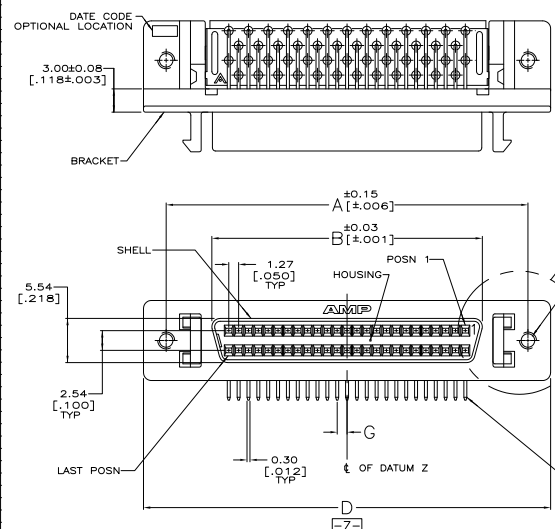


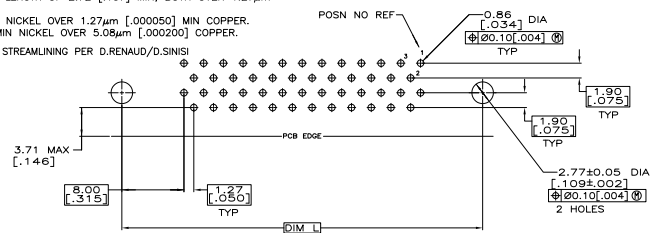
REV	DATE	DESCRIPTION	BY	CHK	APP
00					
01		REVISED PER EDD-11-004835			



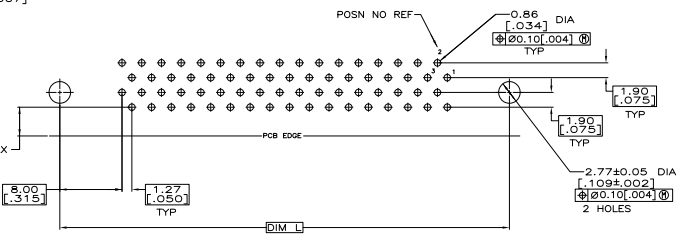
CONTACTS: PHOSPHOR BRONZE
 HOUSING & PIN SPACER: UL 94V-0 RATED, THERMOPLASTIC, BLACK
 BRACKET: ZINC
 SHELL: CARBON STEEL

CONTACTS: EITHER 0.76µm [.000030] MIN GOLD PLATE FOR A LENGTH OF 0.64 [.025] MAX, 0.13 [.005] MIN FROM MATING END OR GOLD FLASH OVER PALLADIUM NICKEL PLATE, 0.76µm [.000030] MIN TOTAL FOR A LENGTH OF 0.64 [.025] MAX, 0.13 [.005] MIN FROM MATING END, 3.81µm [.000150] MIN TIN ON OPPOSITE END FOR A LENGTH OF 2.72 [.107] MIN, BOTH OVER 1.27µm [.000050] MIN NICKEL.
 SHELL: 5.08µm [.000200] MIN NICKEL OVER 1.27µm [.000050] MIN COPPER.
 BRACKET: 2.54µm [.000100] MIN NICKEL OVER 5.08µm [.000200] COPPER.

OBsolete PARTS: OBSOLETE CIS STREAMLINING PER D.RENAUD/D.SINISI



P.C. BOARD MOUNTING DIMENSIONS
 CONNECTOR SIDE
 P.C. BOARD THICKNESS 1.57±0.20 [.062±.008]
 PC BOARD PATTERN S



P.C. BOARD MOUNTING DIMENSIONS
 CONNECTOR SIDE
 P.C. BOARD THICKNESS 1.57±0.20 [.062±.008]
 PC BOARD PATTERN T

PC BOARD PATTERN	L	G	F	E	D	B	A	NO OF POSN	PART NUMBER	
OBsolete	T	78.23	0.64	74.55	80.67	84.20	66.45	78.23	100	5787394-9
		[3.080]	[.025]	[2.935]	[3.178]	[3.315]	[2.616]	[3.080]		
	T	65.53	0.64	61.85	67.97	71.50	53.75	65.53	80	5787394-8
		[2.580]	[.025]	[2.435]	[2.676]	[2.815]	[2.116]	[2.580]		
	T	57.91	0.64	54.23	60.35	63.88	46.13	57.91	68	5787394-7
		[2.280]	[.025]	[2.135]	[2.376]	[2.515]	[1.816]	[2.280]		
	S	46.48	1.27	42.80	48.92	52.45	34.70	46.48	50	5787394-5
		[1.830]	[.050]	[1.685]	[1.926]	[2.065]	[1.366]	[1.830]		
OBsolete	T	32.51	0.64	28.83	34.95	38.48	20.73	32.51	28	5787394-3
		[1.280]	[.025]	[1.135]	[1.376]	[1.515]	[.816]	[1.280]		
	S	31.24	1.27	27.56	33.68	37.21	19.46	31.24	26	5787394-2
		[1.230]	[.050]	[1.085]	[1.326]	[1.465]	[.766]	[1.230]		

THIS DRAWING IS A CONTROLLED DOCUMENT. SEE THE QUALITY MANAGEMENT SYSTEM FOR DETAILS.

RECEPTACLE ASSEMBLY, SHIELDED, 108-1228, RIGHT ANGLE, 000 SERIES AMPLIMITE

DATE: 11-14-0029
 DRAWING NO: 100779 (G=5787394)
 CUSTOMER DRAWING