

4

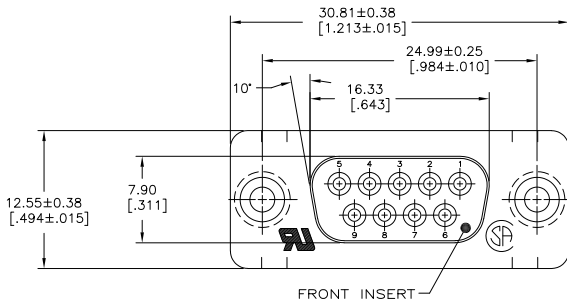
3

2

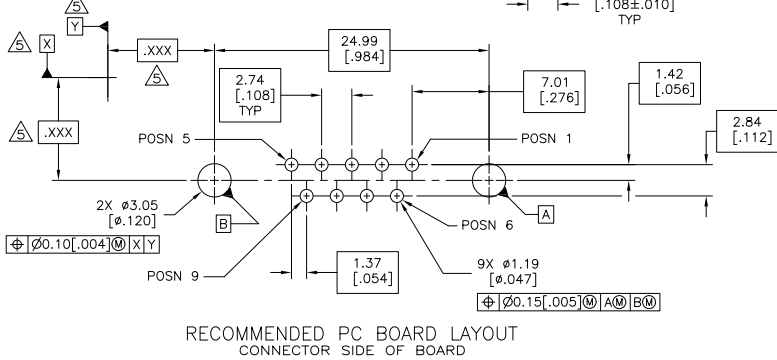
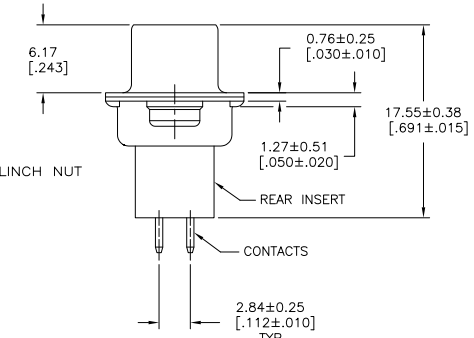
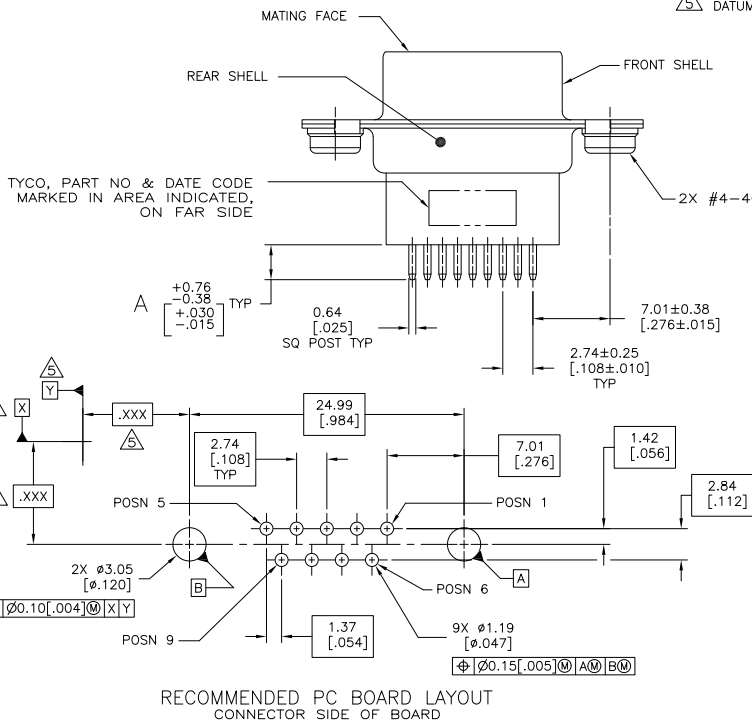
1

THIS DRAWING IS UNPUBLISHED. RELEASED FOR PUBLICATION. ALL RIGHTS RESERVED.

LOC	DIST	REVISIONS					
GP	00	F	LN	DESCRIPTION	DATE	MIN	APD
		D1		REVISED PER ECO-11-004835	11MAR11	RK	HMR



- ⚠ MOLDDED PARTS: NYLON OR POLYESTER, UL 94V-0 RATED, GLASS FILLED, BLACK.
SHELLS: CARBON STEEL
CLINCH NUTS: CARBON STEEL
CONTACTS: PHOSPHOR BRONZE
- ⚠ SHELLS: 5.08 μm [.000200] MIN TIN OVER 2.54 μm [.000100] MIN COPPER.
CONTACTS: SEE TABLE
CLINCH NUTS: CLEAR CHROMATE OVER ZINC PLATING.
- ⚠ GOLD FLASH FOR A LENGTH OF 1.90 [.075] MIN FROM MATING END, 2.54 μm [.000100] MIN TIN ON OPPOSITE END, BOTH OVER 1.27 μm [.000050] MIN NICKEL.
- ⚠ 0.76 μm [.000030] MIN GOLD FOR A LENGTH OF 1.90 [.075] MIN FROM MATING END, 2.54 μm [.000100] MIN TIN ON OPPOSITE END, BOTH OVER 1.27 μm [.000050] MIN NICKEL.
-OR-
GOLD FLASH OVER PALLADIUM-NICKEL 0.76 μm [.000030] MIN TOTAL FOR A LENGTH OF 1.90 [.075] MIN FROM MATING END, 2.54 μm [.000100] MIN TIN ON OPPOSITE END, BOTH OVER 1.27 μm [.000050] MIN NICKEL.
- ⚠ DATUMS AND BASIC DIMENSIONS ESTABLISHED BY CUSTOMER.



⚠	10.85 [.427]	5747190-5
⚠	4.78 [.188]	5747190-4
⚠	3.18 [.125]	5747190-2
⚠	3.18 [.125]	5747190-1
CONTACT FINISH	A	PART NO

THIS DRAWING IS A CONTROLLED DOCUMENT.

DIMENSIONS: mm [INCHES]	TOLERANCES UNLESS OTHERWISE SPECIFIED:	DR: S. LAITUA 21SEP05	CHK: S. BOLASH 21SEP05	APP: M. WALMSLEY 21SEP05	NAME: M. WALMSLEY	PRODUCT SPEC: 108-40025	APPLICATION SPEC: 114-40013	WEIGHT: 114-40013	SIZE: A2	ONE CODE (DRAWING NO): 00779	C=5747190	RESTRICTED TO: -
MATERIAL: ⚠	FINISH: ⚠	CUSTOMER DRAWING		SCALE: NTS	SHEET: 1 of 1	REV: D1						

TE Connectivity
RECEPTACLE ASSEMBLY, SIZE 1, 9 POS., VERTICAL, .025 SQ. POSTS, W/CLINCH NUTS, AMPLIMITE HDP