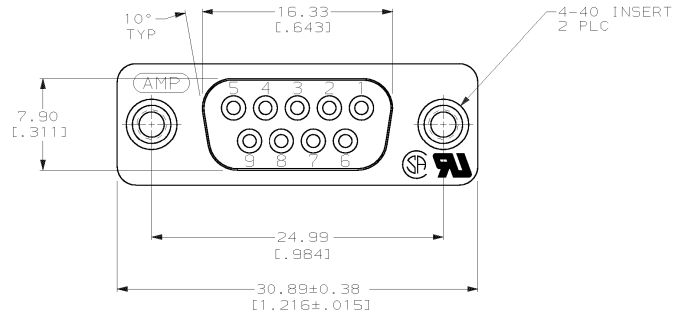
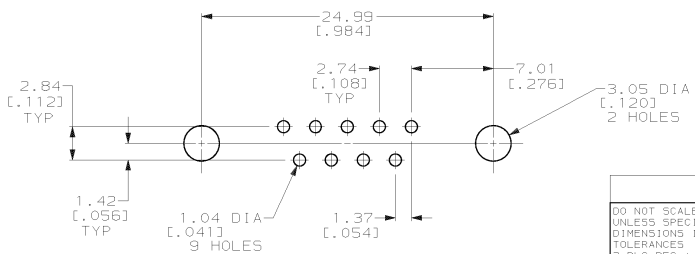
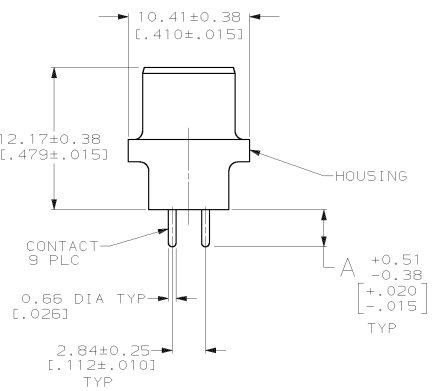
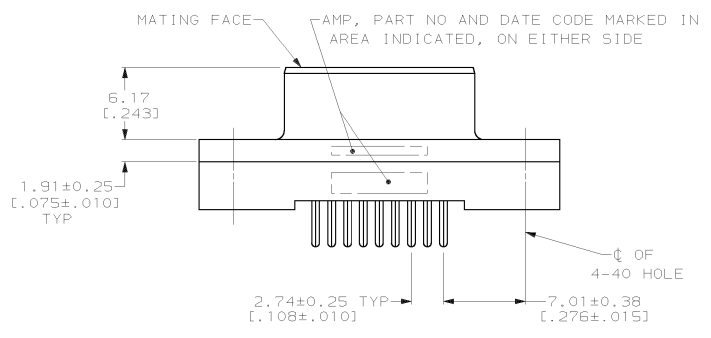


THIS DRAWING IS UNPUBLISHED. RELEASED FOR PUBLICATION
 © COPYRIGHT 19 BY AMP INCORPORATED. ALL INTERNATIONAL RIGHTS RESERVED.

REVOLUTIONS		DATE	APPD
E	REDRAWN & REVISED, ECN B03361	11-89	-
F	SUPSD-7 & OBS-1, -5, -6 PER EC 0020-964-93	04/11/94	CR
G	OBS -8 AND REV PER EC 001D-0126-00	01 NOV 00	RF



- ⚠ HOUSING: BLACK POLYESTER, UL 94V-0 RATED; CONTACTS: PHOSPHOR BRONZE PER 00-B-750; INSERTS: BRASS PER 00-B-626.
- ⚠ GOLD PLATING PER MIL-G-45204, TIN PLATING PER MIL-T-10727, NICKEL PLATING PER 00-N-290.
- ⚠ GOLD FLASH FOR A LENGTH OF 2.54[.100] MIN FROM MATING END, 2.54μm[.000100] MIN TIN OR TIN-LEAD FOR A LENGTH OF DIMENSION A FROM OPPOSITE END, ALL OVER 1.27μm[.000050] MIN NICKEL.
- ⚠ 0.76μm[.000030] MIN GOLD FOR A LENGTH OF 2.54[.100] MIN FROM MATING END, 2.54μm[.000100] MIN TIN OR TIN-LEAD FOR A LENGTH OF DIMENSION A FROM OPPOSITE END, ALL OVER 1.27μm[.000050] MIN NICKEL.



RECOMMENDED PC BOARD MOUNTING DIMENSIONS

REVISED BY	DATE	DESCRIPTION	REV	DATE	REV
OBSELETE	6.35 [0.250]		3	207841-8	
SUPERSEDED BY	207841-8	6.35 [0.250]	3	207841-7	
OBSELETE	4.32 [0.170]		3	207841-6	
OBSELETE	4.32 [0.170]		3	207841-5	
OBSELETE	3.18 [0.125]		3	207841-4	
OBSELETE	3.18 [0.125]		3	207841-3	
OBSELETE	3.56 [0.140]		3	207841-1	

DO NOT SCALE PRINT. UNLESS SPECIFIED DIMENSIONS IN mm (INCHES) TOLERANCES ON : 2 PLC DEC ± 0.13 (0.005) 3 PLC DEC ± ANGLES ± 2°		DR 11-16-89 J McCLINTON		A CONTACT FINISH PART NO	
MATERIAL		APPD 2-2-90 S. SCHIEFERLY		NAME	
FINISH		PRODUCT SPEC 108-40025		RECEPTACLE ASSEMBLY, SIZE 1, 9 POSN, VERTICAL, AMPLIMITE® HD-20	
CONTACT: SEE TABLE		APPLICATION SPEC		SIZE C	
WEIGHT		SCALE 4:1		CAGE CODE 00779	
				DRAWING NO 207841	
				SHEET 1 OF 1	