

4

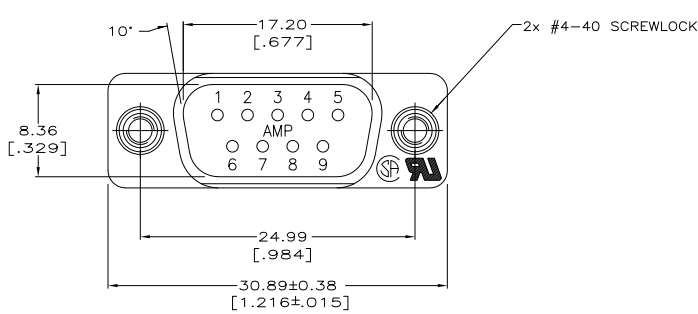
3

2

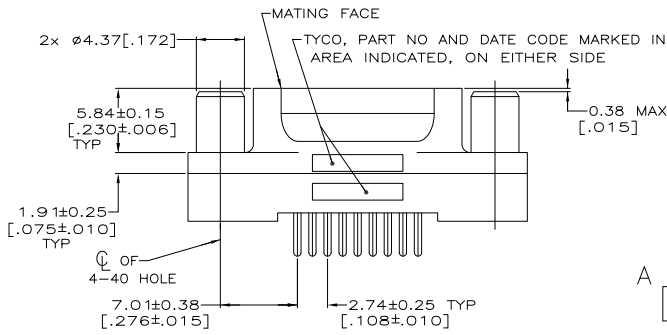
1

THIS DRAWING IS UNPUBLISHED. RELEASED FOR PUBLICATION. ALL RIGHTS RESERVED.

LOC		DIST		REVISIONS			
F	LNK	DESCRIPTION	DATE	BY	APPD		
	A1	REVISED PER ECO-11-004835	11MAR11	RK	HMR		



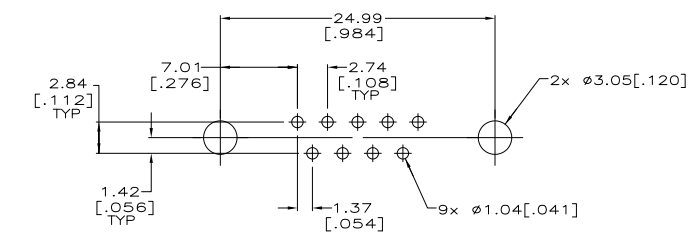
- ▲ HOUSING: BLACK POLYESTER, UL 94V-0 RATED; CONTACTS: BRASS
- ▲ SCREWLOCKS: BRASS.
- ▲ CONTACTS: SEE TABLE
- ▲ SCREWLOCKS: 1.27µm [.000050] MIN NICKEL OVER COPPER FLASH.
- ▲ GOLD PLATED FOR A LENGTH OF 3.81 [.150] MIN FROM MATING END, GOLD FLASH IN MATED AREA, 2.54µm [.000100] MIN TIN ON OPPOSITE END, ALL OVER 1.27µm [.000050] MIN NICKEL.
- ▲ GOLD PLATED FOR A LENGTH OF 3.81 [.150] MIN FROM MATING END, 0.76µm [.000030] MIN GOLD IN MATED AREA, 2.54µm [.000100] MIN TIN ON OPPOSITE END, ALL OVER 1.27µm [.000050] MIN NICKEL
- OR-
- ▲ GOLD FLASH OVER PALLADIUM NICKEL PLATED FOR LENGTH OF 3.81 [.150] MIN FROM MATING END, 0.76µm [.000030] MIN PALLADIUM NICKEL IN MATED AREA, 2.54µm [.000100] MIN TIN ON OPPOSITE END, ALL OVER 1.27µm [.000050] MIN NICKEL.



A

HOUSING

9x CONTACT



RECOMMENDED PC BOARD MOUNTING DIMENSIONS

COPYRIGHT 2005 TE CONNECTIVITY CORP ALL RIGHTS RESERVED

4.32 [-.170]	▲	5745071-4
3.18 [-.125]	▲	5745071-2
3.18 [-.125]	▲	5745071-1
A	CONTACT FINISH	PART NO

DIMENSIONS		TOLERANCES UNLESS OTHERWISE SPECIFIED		FINISH		MATERIAL	
mm	[INCHES]	FRACTIONS	DECIMALS	PLC	PLC	FINISH	FINISH
		0 PLC	± .005	1 PLC	± .005	2 PLC	± .005
		3 PLC	± .010	4 PLC	± .015	5 PLC	± .020
		6 PLC	± .025	7 PLC	± .050	8 PLC	± .100
		9 PLC	± .150	ANGLES	± .5°		

THIS DRAWING IS A CONTROLLED DOCUMENT.		DRN	G. PETERS	13SEP05
		CHK	S. BOLASH	13SEP05
		APP	M. MALINSLEY	13SEP05
		PRODUCT SPEC	108-40025	
		APPLICATION SPEC		
		WEIGHT		
		CUSTOMER DRAWING		

SIZE	QTY	CODE	DRAWING NO	RESTRICTED TO
A2	00779	C=5745071		

TE Connectivity
PLUG ASSEMBLY, SIZE 1, 9 POSN, VERTICAL, AMPLIMITE HD-20

SCALE: 4:1 SHEET: 1 of 1 REV: A1