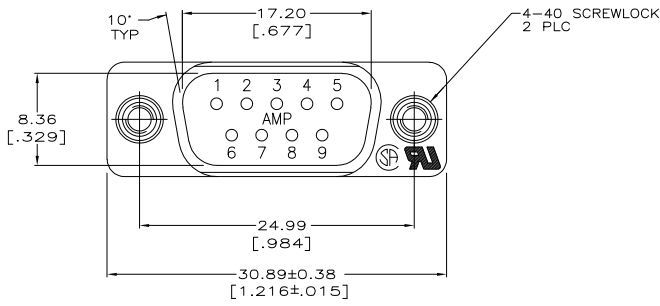
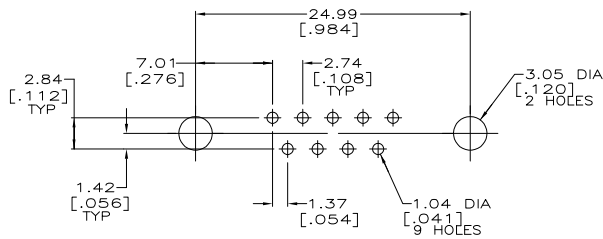
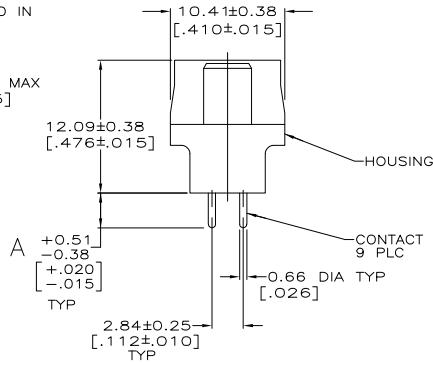
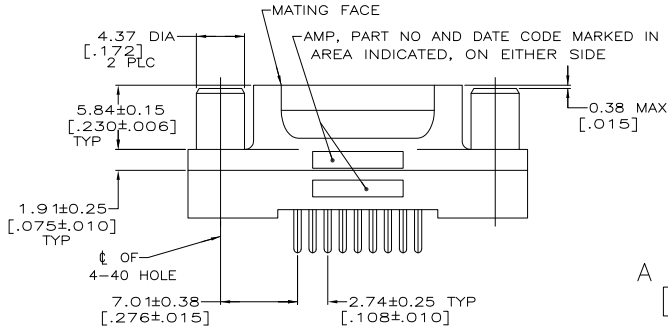


THIS DRAWING IS UNPUBLISHED. RELEASED FOR PUBLICATION
 © COPYRIGHT BY TYCO ELECTRONICS CORPORATION. ALL RIGHTS RESERVED.

LOC	DIST	REVISIONS		
F	LTR	DESCRIPTION	DATE	BY
GP	00	H	REVISED PER ECO-06-026336	11/DEC/06 ZMR/EDB



- △ HOUSING: BLACK POLYESTER, UL 94V-0 RATED;
CONTACTS: BRASS
SCREWLOCK: BRASS
- △ GOLD PLATED FOR LENGTH OF 3.81 [.150] MIN FROM MATING END, GOLD FLASH IN MATED AREA, 2.54µm [.000100] MIN TIN OR TIN-LEAD FOR A LENGTH OF DIMENSION A FROM OPPOSITE END, BOTH OVER 1.27µm [.000050] MIN NICKEL.
- △ GOLD PLATED FOR LENGTH OF 3.81 [.150] MIN FROM MATING END, 0.76µm [.000030] MIN GOLD IN MATED AREA, 2.54µm [.000100] MIN TIN OR TIN-LEAD FOR A LENGTH OF DIMENSION A FROM OPPOSITE END, BOTH OVER 1.27µm [.000050] MIN NICKEL.
-OR-
GOLD FLASH OVER PALLADIUM NICKEL FOR A LENGTH OF 3.81 [.150] MIN FROM MATING END, 0.76µm [.000030] MIN PALLADIUM NICKEL IN MATED AREA, 2.54µm [.000100] MIN TIN OR TIN-LEAD FOR A LENGTH OF DIMENSION A FROM OPPOSITE END, BOTH OVER 1.27µm [.000050] MIN NICKEL.
- △ 1.27µm [.000050] MIN NICKEL OVER COPPER FLASH.



RECOMMENDED PC BOARD MOUNTING DIMENSIONS

OBSOLETE	6.35 [.250]	△	745071-6
OBSOLETE	6.35 [.250]	△	745071-5
	4.32 [.170]	△	745071-4
OBSOLETE	4.32 [.170]	△	745071-3
	3.18 [.125]	△	745071-2
	3.18 [.125]	△	745071-1
	DIMENSION A	△	PART NUMBER
		CONTACT FINISH	

THIS DRAWING IS A CONTROLLED DOCUMENT.		DATE	11-14-88	Tyco Electronics Corporation	
DRAWN BY		J. McCLINTON	2-1-90	Harrisburg, PA 17105-3608	
CHECKED BY		S. STONE		Tyco Electronics	
DESIGNED BY		C. ROHDE		PLUG ASSEMBLY, SIZE 1,	
PRODUCT SPEC		108-40025		9 POSN. VERTICAL,	
APPLICATION SPEC				AMPLIMITE® HD-20	
MATERIAL		SCREWLOCK △		SIZE	A2
FINISH				QAGE CODE	00779
CONTACT: SEE TABLE		CUSTOMER DRAWING		DRAWING NO	C=745071
				RESTRICTED TO	
				SCALE	NTS
				SHEET	1 of 1
				REV	H