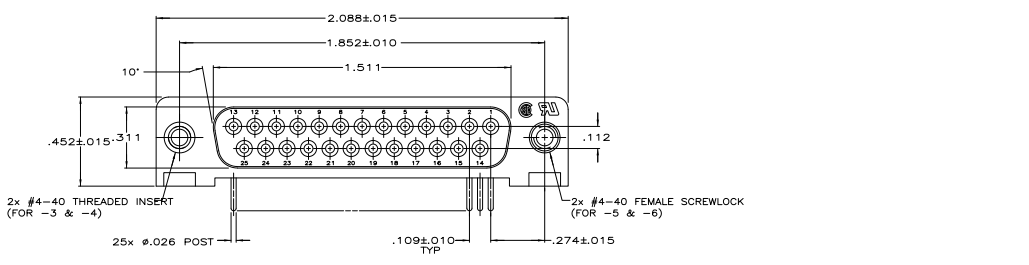
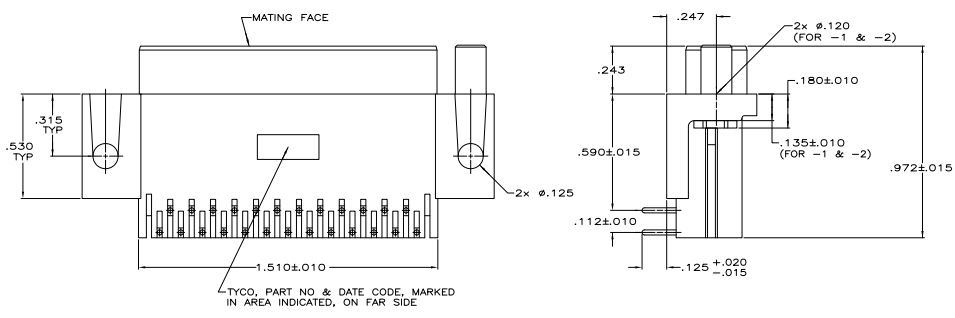


THIS DRAWING IS UNPUBLISHED  
 ALL RIGHTS RESERVED

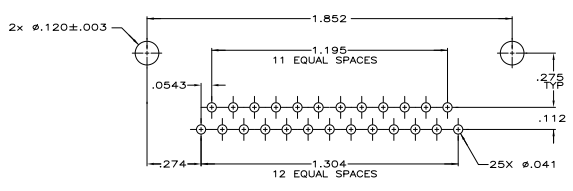
REV	DATE	DESCRIPTION	BY	CHK
00				
1		REVISED PER EDD-11-004835	11MR11	RK HMR



- △ HOUSING: FLAME RETARDANT, 94V-0 RATED, GLASS FILLED, NYLON OR POLYESTER, COLOR: BLACK
- CONTACTS: PHOS BRONZE
- INSERTS & SCREWLOCKS: ZINC.
- △ REFER TO APPLICATION SPEC FOR RECOMMENDED P.C. BOARD MOUNTING DIMENSIONS FOR AUTOMATIC INSERTION.
- △ CONTACTS: SEE TABLE
- INSERTS & SCREWLOCKS: CLEAR CHROMATE COATING.
- △ PLATED WITH GOLD FLASH FOR LENGTH OF .055 MIN FROM MATING END, .000100 MIN TIN ON SOLDER END, ALL OVER .000050 MIN NICKEL ON ENTIRE CONTACT.
- △ PLATED WITH .000030 MIN GOLD FOR LENGTH OF .055 MIN FROM MATING END, .000100 MIN TIN SOLDER END, ALL OVER .000050 MIN NICKEL ON ENTIRE CONTACT.



TYCO, PART NO & DATE CODE, MARKED IN AREA INDICATED, ON FAR SIDE



REMARKS	FINISH	PART NUMBER
WITH SCREWLOCKS	△	5747461-6
WITH SCREWLOCKS	△	5747461-5
WITH INSERTS	△	5747461-4
WITH INSERTS	△	5747461-3
WITH .120 DIA HOLE	△	5747461-2
WITH .120 DIA HOLE	△	5747461-1

THIS DRAWING IS A CONTROLLED DOCUMENT.		BY	DATE	REVISED	DATE	REVISED	DATE	REVISED	DATE
DESIGNED	BY	DATE	REVISED	DATE	REVISED	DATE	REVISED	DATE	REVISED
108-40025	114-40015	108-40025	114-40015	108-40025	114-40015	108-40025	114-40015	108-40025	114-40015

TE Connectivity  
 RECEPTACLE ASSY, SIZE 3, 25 POSN, RIGHT ANGLE, 590 SERIES, 026 DIA POSTS, AMPLIMATE HC-00  
 CUSTOMER DRAWING

COPYRIGHT 2005  
 TE CONNECTIVITY CORP  
 ALL RIGHTS RESERVED