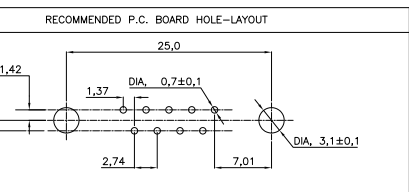
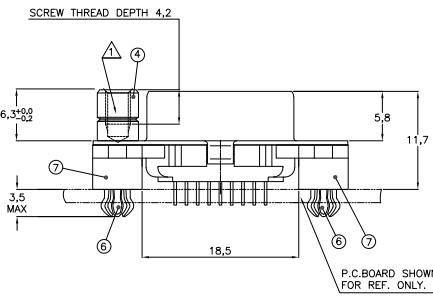
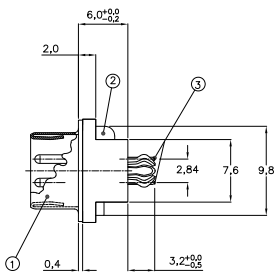
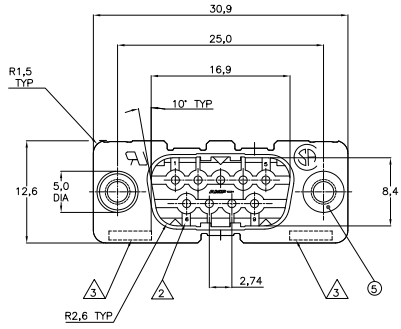


THIS DRAWING IS UNPUBLISHED. RELEASED FOR PUBLICATION
 BY TYCO ELECTRONICS CORPORATION. ALL RIGHTS RESERVED.

LOC	DIST	REVISIONS	DATE	BY	APPD
H	-	F LWR			
		E	EH01-0321-04	08-03-04	JvdH/PDJ
		F	ECR-06-016133	10-07-06	BSV MK
		F1	ECR-08-018358	25-07-08	BSV MK



ACCESSORIES PREFIX Z	ITEM NRS.	DESCRIPTION OF ACCESSORY	1	2	3	4	5	6	7	8	9
5	BUSHING WITH THROUGH HOLE 3,1 DIA.										
5	BUSHING WITH THREAD 4-40 UNC										
5	BUSHING WITH THREAD M3										
4	FEMALE SCREWLOCK WITH THREAD 4-40 UNC										
4	FEMALE SCREWLOCK WITH THREAD M3										
6	BOARDLOCK										

HOW TO ORDER:
 9 POS.-----> Z-338309-Y
 PREFIX FOR ACCESSORIES
 BASIC PARTNR.
 SUFFIX FOR PLATING

PLATING SUFFIX Y	DESCRIPTION	Y
-Y	GOLD OVER NICKEL AS PER PERFORMANCE LEVEL 2 (DIN 41652) SOLDERPART: 2,5µm Sn.	-2
-		-

- △ GROOVE INDICATES VERSION WITH 4-40 UNC INNER THREAD; WITHOUT GROOVE INDICATES VERSION WITH M3 INNER THREAD.
- △ CAVITY IDENTIFICATION AT FRONT SIDE ONLY.
- ③ PARTNUMBER AND DATE CODE.
- 4 WHEN BOARDLOCKS ARE USED, CONNECTOR CAN BE USED FOR PCB THICKNESS OF 1,6 mm ONLY.
- 5 SHELL HAS 2x2 GROUNDING SPRINGS; PITCH IS 3,6 mm
- 6 AIR AND CREEPAGE DISTANCES ACCORDING TO DIN41652

ITEM NRS./MATERIAL :

① SHELL	: BRIGHT TINPLATED STEEL
② HOUSING	: GLASSFILLED POLYESTER, COLOR : BLACK
③ CONTACTS	: PHOSPHORBRONZE (PLATING : SEE TABLE ABOVE)
④ FEMALE SCREWLOCK	: TINPLATED STEEL (INNER THREAD 4-40 UNC OR M3)
⑤ BUSHING	: TINPLATED STEEL (INNER THREAD 4-40 UNC OR M3 OR 3,1 DIA. THROUGH HOLE)
⑥ BOARDLOCK	: TINPLATED PHOSPHORBRONZE
⑦ STAND-OFF	: ULTRAMILD VO COLOR : BLACK

THIS DRAWING IS A CONTROLLED DOCUMENT. DIM: 034487 J.V. LIEMPT 09SEP97 Tyco Electronics Tyco Electronics Corporation s-HerongenBoesch, Netherlands.

CHK: C. SOUSA 09SEP97
 C. SOUSA
 PRODUCT SPEC: F. LEUVENS
 APPLICATION SPEC: PRODUCT SPEC: 09SEP97 NAME: HDP-20 SIZE 1 VERTICAL+ PLUG HEADER; WITH SOLDER CONTACTS

DIMENSIONS: mm
 0 P.L.C. # -
 1 P.L.C. # -
 2 P.L.C. # -
 3 P.L.C. # -
 4 P.L.C. # -
 ANGLES # -

MATERIAL: FINISH: -

SIZE: A2 CASE CODE: 00779 DRAWING NO: 338309 RESTRICTED TO: -
 CUSTOMER DRAWING SCALE: NTS SHEET 1 OF 1 REV: F1

AMP 1471-9 REV 31MM2000

338309