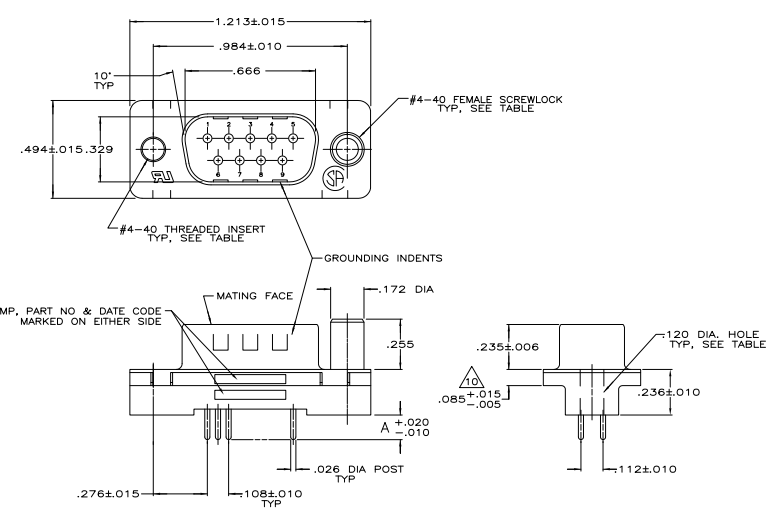
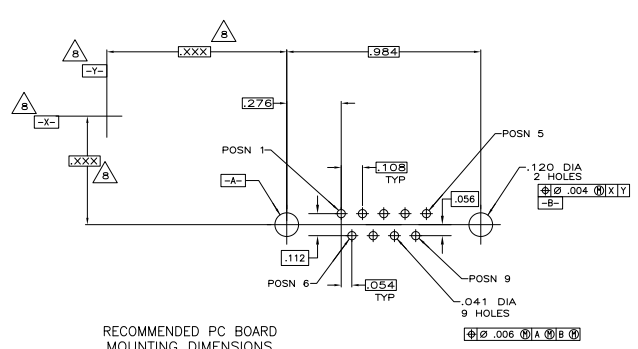


REV	DATE	DESCRIPTION	BY	CHK	APP
GP 00					
NT		REVISED PER EDD-11-004835	11MM11	RK	HMR



- NOTE DELETED.
- HOUSING: FLAME RETARDANT 94V-0 RATED THERMOPLASTIC, BLACK
 SHELLS: CARBON STEEL
 CONTACTS: BRASS
 INSERTS: BRASS
 SCREWLOCKS: ZINC
 SHELLS: .000200 MIN TIN OVER .000100 MIN COPPER.
 INSERTS: UNPLATED.
 SCREWLOCKS: UNPLATED.
 CONTACTS: SEE TABLE.
- GOLD PLATED FOR A LENGTH OF .150 FROM MATING END, GOLD FLASH IN MATED AREA, .000100 MIN TIN OR TIN-LEAD FOR A LENGTH OF DIMENSION A FROM OPPOSITE END, ALL OVER .000050 MIN NICKEL.
- GOLD PLATED FOR A LENGTH OF .150 FROM MATING END, .000030 MIN GOLD IN MATED AREA, .000100 MIN TIN OR TIN-LEAD FOR A LENGTH OF DIMENSION A FROM OPPOSITE END, ALL OVER .000050 MIN NICKEL.
 -OR-
 GOLD FLASH OVER PALLADIUM NICKEL PLATED FOR LENGTH OF .150 FROM MATING END, .000030 MIN PALLADIUM NICKEL IN MATED AREA, .000100 MIN TIN OR TIN-LEAD FOR A LENGTH OF DIMENSION A FROM OPPOSITE END, ALL OVER .000050 MIN NICKEL.
- NOTE DELETED.
- HOUSING APPLICATION TEMPERATURE: 215°C MAXIMUM FOR 120 SECONDS MAXIMUM.
- DATUMS AND BASIC DIMENSIONS ESTABLISHED BY CUSTOMERS.
- NOTE DELETED.
- .110 MAX IN SHELL TAB CLINCH AREAS.



REVISION	DATE	DESCRIPTION	BY	CHK	APP
OBsolete		.120 DIA HOLE			
OBsolete		.250 1-747871-9			
OBsolete		.250 1-747871-8			
OBsolete		.250 1-747871-7			
OBsolete		.250 1-747871-6			
OBsolete		.170 1-747871-5			
OBsolete		.170 1-747871-4			
OBsolete		.125 1-747871-3			
OBsolete		.125 1-747871-2			
OBsolete		.250 1-747871-1			
OBsolete		.170 1-747871-0			
OBsolete		.170 747871-9			
OBsolete		.125 747871-8			
OBsolete		.125 747871-7			
OBsolete		.250 747871-6			
OBsolete		.250 747871-5			
OBsolete		.170 747871-4			
OBsolete		.170 747871-3			
OBsolete		.125 747871-2			
OBsolete		.125 747871-1			

REVISION	DATE	DESCRIPTION	BY	CHK	APP
SUPSD BY 747871-4		.120 DIA. HOLE			
SUPSD BY 747871-2		.125 747871-2			

REMARKS: CONTACT FINISH DIM PART NUMBER

THIS DRAWING IS A CONTROLLED DOCUMENT. DATE: 11-28-88
 BY: WELDON
 CHECKED: RICHARD
 DATE: 11-28-88
 DESIGNED: RICHARD
 DATE: 11-28-88
 DRAWN: RICHARD
 DATE: 11-28-88
 CHECKED: RICHARD
 DATE: 11-28-88
 APPROVED: RICHARD
 DATE: 11-28-88

TE Connectivity
 PLUG ASSEMBLY, SIZE 1,
 9 POS, VERTICAL,
 FRONT SHELL, AMP/ITERM™ HOP

114-40023
 SIZE: 114-40023
 DATE: 11-28-88
 DRAWN: RICHARD
 CHECKED: RICHARD
 APPROVED: RICHARD
 CUSTOMER DRAWING
 DATE: 11-28-88
 DRAWN: RICHARD
 CHECKED: RICHARD
 APPROVED: RICHARD