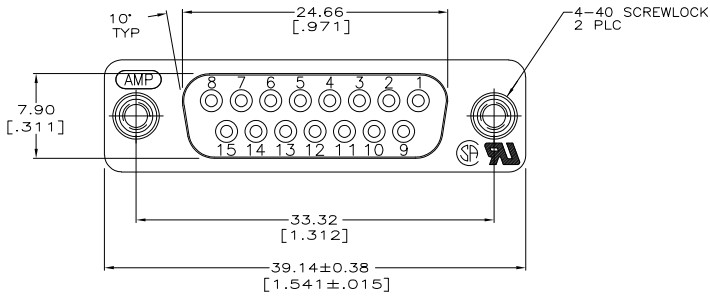


THIS DRAWING IS UNPUBLISHED.  
 RELEASED FOR PUBLICATION  
 BY TYCO ELECTRONICS CORPORATION. ALL RIGHTS RESERVED.

| REV | DATE    | DESCRIPTION                  | DATE | BY | APP |
|-----|---------|------------------------------|------|----|-----|
| 0   | 31AUG05 | RELEASED PER EC 0513-0087-05 |      | GP | JG  |



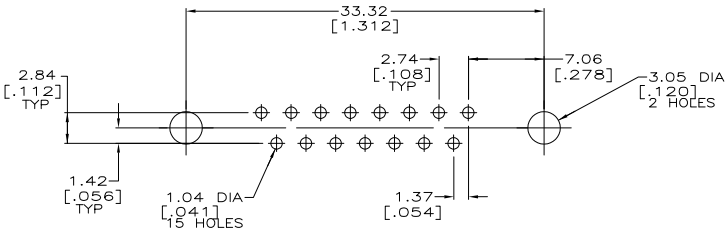
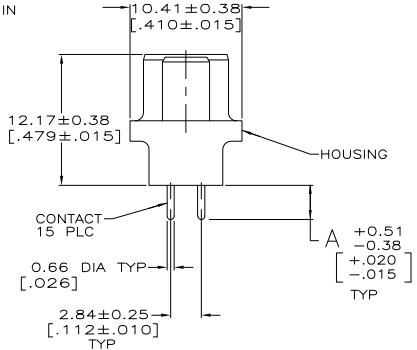
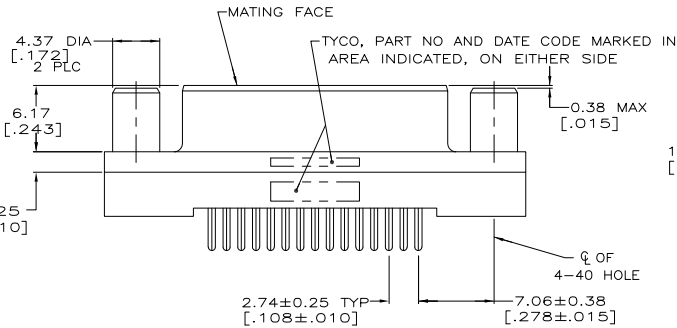
- △ HOUSING: BLACK POLYESTER, UL 94V-0 RATED;
- CONTACTS: PHOSPHOR BRONZE; SCREWLOCKS: BRASS.
- CONTACTS: SEE TABLE.
- SCREWLOCKS: 1.27µm[.00050] MIN NICKEL OVER COPPER FLASH.
- △ GOLD FLASH FOR A LENGTH OF 2.54[.100] MIN FROM MATING END, 2.54µm[.000100] MIN TIN FOR A LENGTH OF DIMENSION A FROM OPPOSITE END, ALL OVER 1.27µm[.00050] MIN NICKEL.
- △ 0.76 µm[.000030] MIN GOLD FOR A LENGTH OF 2.54[.100] MIN FROM MATING END, 2.54µm[.000100] MIN TIN FOR A LENGTH OF DIMENSION A FROM OPPOSITE END, ALL OVER 1.27µm[.00050] MIN NICKEL.

D

C

B

A



RECOMMENDED PC BOARD MOUNTING DIMENSIONS

|              |                |           |
|--------------|----------------|-----------|
| 4.32 [0.170] | △              | 5745077-6 |
| 3.18 [0.125] | △              | 5745077-4 |
| 3.18 [0.125] | △              | 5745077-3 |
| A            | CONTACT FINISH | PART NO   |

| DIMENSIONS: |          | TOLERANCES UNLESS OTHERWISE SPECIFIED: |     | MATERIAL: |            | FINISH: |     | WEIGHT: |   | CUSTOMER DRAWING: |       |
|-------------|----------|--|-----|-----------|------------|---------|-----|---------|---|-------------------|-------|
| mm          | (INCHES) | Ø                                      | PLC | #         | -          | 1       | PLC | #       | - | A2                | 00779 |
|             |          | 1                                      | PLC | #         | 0.13 [005] |         |     |         |   |                   |       |
|             |          | 2                                      | PLC | #         | -          |         |     |         |   |                   |       |
|             |          | 3                                      | PLC | #         | -          |         |     |         |   |                   |       |
|             |          | 4                                      | PLC | #         | -          |         |     |         |   |                   |       |
|             |          | 5                                      | PLC | #         | -          |         |     |         |   |                   |       |
|             |          | 6                                      | PLC | #         | -          |         |     |         |   |                   |       |
|             |          | 7                                      | PLC | #         | -          |         |     |         |   |                   |       |
|             |          | 8                                      | PLC | #         | -          |         |     |         |   |                   |       |
|             |          | 9                                      | PLC | #         | -          |         |     |         |   |                   |       |
|             |          | 10                                     | PLC | #         | -          |         |     |         |   |                   |       |
|             |          | 11                                     | PLC | #         | -          |         |     |         |   |                   |       |
|             |          | 12                                     | PLC | #         | -          |         |     |         |   |                   |       |
|             |          | 13                                     | PLC | #         | -          |         |     |         |   |                   |       |
|             |          | 14                                     | PLC | #         | -          |         |     |         |   |                   |       |
|             |          | 15                                     | PLC | #         | -          |         |     |         |   |                   |       |

AMP 1471-B REV 31AUG2000

5745077

A