

4

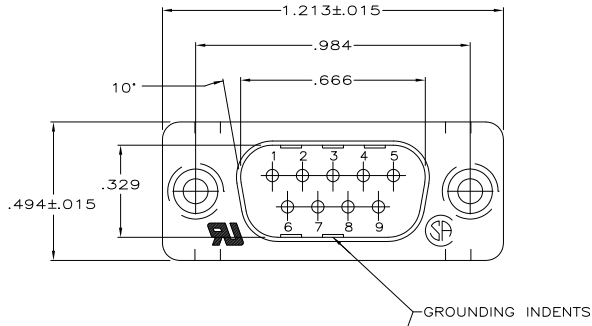
3

2

1

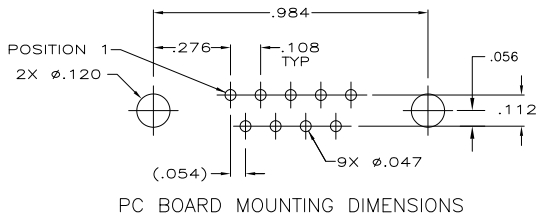
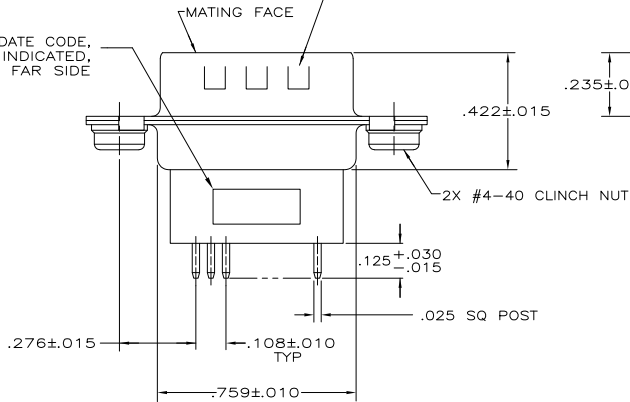
THIS DRAWING IS UNPUBLISHED. RELEASED FOR PUBLICATION  
 © COPYRIGHT 2005 BY TYCO ELECTRONICS CORPORATION. ALL RIGHTS RESERVED.

LOC	DIST	REVISIONS					
GP	00	P	LTR	DESCRIPTION	DATE	MIN	APPD
		C		REVISED PER ECO-10-000073	9FEB2010	CJV	SB



- ⚠ MOLDED PARTS: GLASS-FILLED NYLON, UL 94V-0 RATED, COLOR BLACK.  
SHELLS: CARBON STEEL.  
CONTACTS: BRASS.  
CLINCH NUTS: CARBON STEEL.
- ⚠ SHELLS: .000200 MIN TIN OVER .000100 MIN COPPER.  
CLINCH NUTS: .000200 MIN ZINC WITH CLEAR CHROMATE COATING.  
CONTACTS: GOLD PLATED FOR A LENGTH OF .150 MIN FROM MATING END, .000030 MIN GOLD IN MATED AREA, .000100 MIN TIN ON OPPOSITE END, ALL OVER .000050 MIN NICKEL.  
-OR-  
GOLD FLASH OVER PALLADIUM-NICKEL PLATED FOR A LENGTH OF .150 FROM MATING END, .000030 MIN TOTAL IN MATED AREA, .000100 MIN TIN ON OPPOSITE END, ALL OVER .000050 MIN NICKEL.

TYCO, PART NO & DATE CODE, MARKED IN AREA INDICATED, ON FAR SIDE



5749014-1  
PART NO

THIS DRAWING IS A CONTROLLED DOCUMENT.		DR: S. LAITUCA	JOSEP105	Tyco Electronics Corporation Harrisburg, PA 17105-3608
		CHK: S. BOLASH	JOSEP105	
DIMENSIONS: INCHES		APPD: M. WALMSLEY	JOSEP105	PLUG ASSEMBLY, SIZE 1, 9 POSN, VERTICAL, W/ GROUNDING INDENTS & CLINCH NUTS, AMPLIMITE HDP
OTHER DIMENSIONS: MILLIMETERS		PRODUCT SPEC: 108-40025	NAME:	
MATERIAL		APPLICATION SPEC: 114-40013	SIZE	RESTRICTED TO
FINISH		WEIGHT	CAGE CODE DRAWING NO: A200779C=5749014	
		CUSTOMER DRAWING		SCALE: NTS SHEET: 1 of 1 REV: C

5749014

A