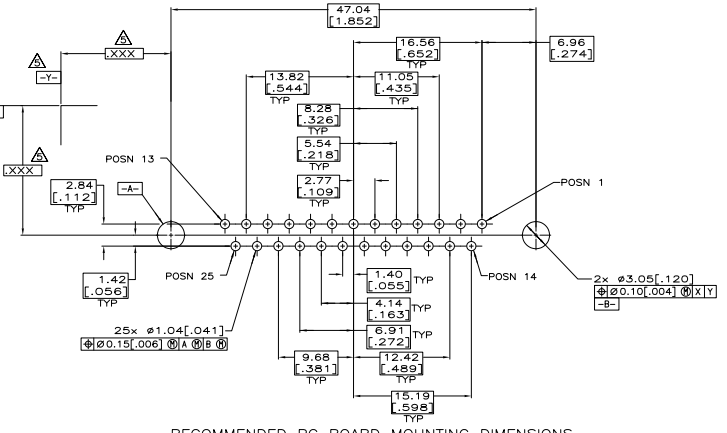
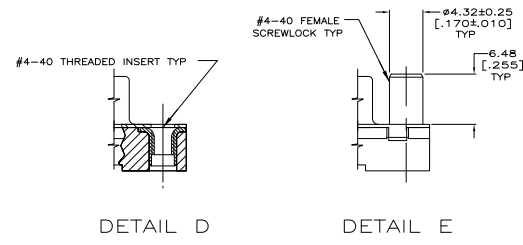
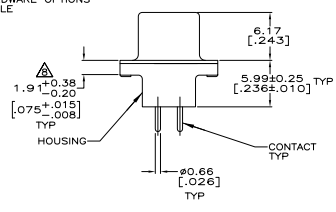
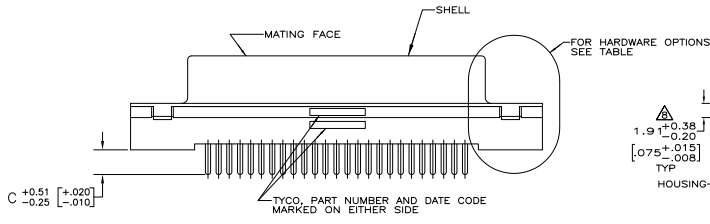


- △ HOUSING: POLYESTER, UL 94V-0 RATED, BLACK.
SHELL: CARBON STEEL.
CONTACTS: PHOSPHOR BRONZE.
SCREWLOCKS: ZINC.
INSERTS: BRASS.
- △ SHELL: 5.08mm [0.000200] MIN TIN OVER 2.54mm [0.000100] MIN COPPER.
CONTACTS: SEE TABLE.
SCREWLOCKS: CLEAR CHROMATE.
INSERTS: UNPLATED.
- △ GOLD FLASH FOR A LENGTH OF 2.54 [100] MIN FROM MATING END, 2.54µm [0.000100] MIN TIN ON OPPOSITE END, BOTH OVER 1.27µm [0.000050] MIN NICKEL.
- △ 0.76µm [0.000030] MIN GOLD FOR A LENGTH OF 2.54 [100] MIN FROM MATING END, 2.54µm [0.000100] MIN TIN ON OPPOSITE END, BOTH OVER 1.27µm [0.000050] MIN NICKEL.
- △ DATUMS AND BASIC DIMENSIONS ESTABLISHED BY CUSTOMER.
- △ 2.79 [110] MAX IN SHELL TAB CLINCH AREAS.



DETAIL E	△	4.32 [0.170]	1-5745967-6
DETAIL E	△	4.32 [0.170]	1-5745967-5
DETAIL E	△	3.18 [0.125]	1-5745967-4
DETAIL D	△	4.32 [0.170]	1-5745967-0
DETAIL D	△	3.18 [0.125]	5745967-8
DETAIL D	△	3.18 [0.125]	5745967-7
AS SHOWN	△	4.32 [0.170]	5745967-4
AS SHOWN	△	3.18 [0.125]	5745967-2
HARDWARE OPTIONS		C	PART NO

THIS DRAWING IS A CONTROLLED DOCUMENT		DATE	REV	BY	CHK	APP
DESIGNER	DESIGNED BY	DATE	REV	BY	CHK	APP
DATE	REV	BY	CHK	APP	CUSTOMER DRAWING	