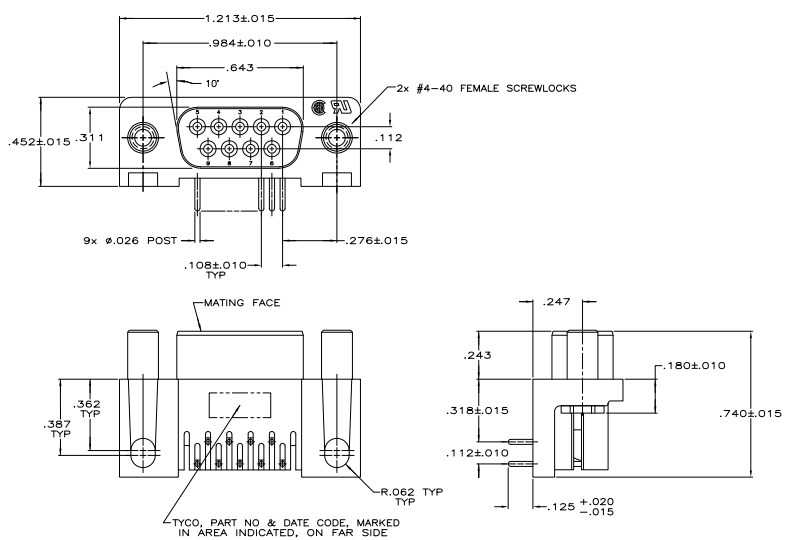
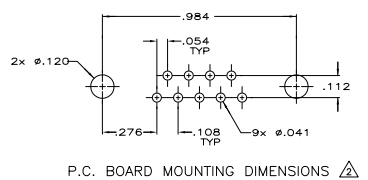


REV	DATE	REVISIONS
00		
0		RELEASED PER EC 0613-0087-06



- ⚠ HOUSING: FLAME RETARDANT, 94V-0 RATED, GLASS FILLED NYLON OR POLYESTER, COLOR: BLACK.
 CONTACTS: PHOS. BRONZE.
 SCREWLOCKS: ZINC
- ⚠ REFER TO APPLICATION SPEC FOR RECOMMENDED P.C. BOARD MOUNTING DIMENSIONS FOR AUTOMATIC INSERTION.
- ⚠ CONTACTS: PLATED WITH .000030 MIN GOLD FOR LENGTH OF .055 MIN FROM MATING END, .000100 MIN TIN ON SOLDER END, ALL OVER .000050 MIN NICKEL ON ENTIRE CONTACT.
 SCREWLOCKS: CLEAR CHROMATE COATING



COPYRIGHT 2005
 TYCO ELECTRONICS CORP
 ALL RIGHTS RESERVED

TUBES	5745395-3
TRAYS	5745395-2
PACKAGING	PART NUMBER

DESCRIPTION	QUANTITY	UNIT	REVISION
RECEPTACLE ASSY, SIZE 1, 9 POSN, RIGHT ANGLE, .318 SERIES, .026 DIA POSTS, W/ FEMALE SCREWLOCKS, AMP/LITE HS-20			
108-40025			
114-40015			
A1 00779G=5745395			