

4

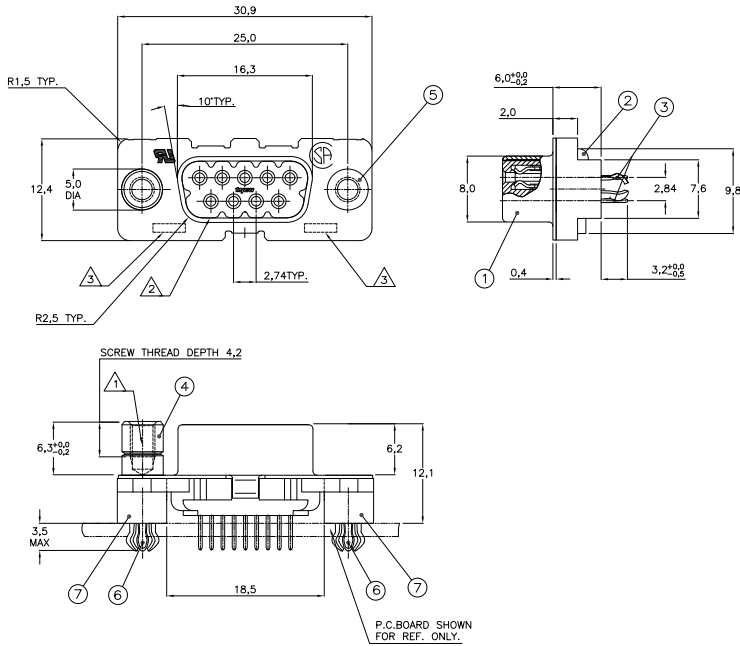
3

2

1

THIS DRAWING IS UNPUBLISHED. RELEASED FOR PUBLICATION
 © COPYRIGHT BY TYCO ELECTRONICS CORPORATION. ALL RIGHTS RESERVED.

LOC	DIST	REV	DESCRIPTION	DATE	BY	APPD
H	-	F	LR			
		E	ECR-06-011911	22-05-06	BSV	DC
		F	ECR-06-029370	21-03-07	BSV	MK
		F1	ECR-08-018358	28-07-08	AEG	KMA



ITEM	DESCRIPTION OF ACCESSORY	QTY	UNIT	REV	APPD
5	BUSHING WITH THROUGH-HOLE 3,1 DIA.	2		2	
5	BUSHING WITH THREAD 4-40 UNC	2		2	
5	BUSHING WITH THREAD M3	2		2	
4	FEMALE SCREWLOCK WITH THREAD 4-40 UNC	2		2	
4	FEMALE SCREWLOCK WITH THREAD M3	2		2	
6	BOARDLOCK	2		2	

ACCESSORIES PREFIX "Z"

HOW TO ORDER:

9 POS. ---> Z-338313-Y

PREFIX FOR ACCESSORIES

BASIC PARTNR.

SUFFIX FOR PLATING

1	1-XXXXXX-Y
2	2-XXXXXX-Y
3	3-XXXXXX-Y
4	4-XXXXXX-Y
5	5-XXXXXX-Y
6	6-XXXXXX-Y
7	7-XXXXXX-Y
8	8-XXXXXX-Y
9	9-XXXXXX-Y

PLATING SUFFIX "Y"

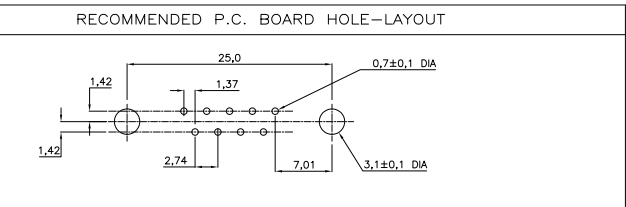
GOLD OVER NICKEL AS PER PERFORMANCE LEVEL 2 (DIN 41652)

SOLDER-PART :TIN-PLATING 3µm

-Y = -2

- △ GROOVE INDICATES VERSION WITH 4-40 UNC INNER THREAD; WITHOUT GROOVE INDICATES VERSION WITH M3 INNER THREAD.
- △ CAVITY IDENTIFICATION AT FRONT SIDE ONLY.
- △ PARTNUMBER AND DATE CODE.
- 4. WHEN BOARDLOCKS ARE USED, CONNECTOR CAN BE USED FOR PCB THICKNESS OF 1,6 mm ONLY.
- 5. AIR AND CREEPAGE DISTANCES ACCORDING TO DIN 41652

- ITEM NRS./MATERIAL :
- ① SHELL = BRIGHT TINPLATED STEEL
 - ② HOUSING = GLASSFILLED POLYESTER, COLOR : BLACK
 - ③ CONTACTS = PHOSPHORBRONZE (PLATING : SEE TABLE ABOVE)
 - ④ FEMALE SCREWLOCK = TINPLATED STEEL (INNER THREAD 4-40 UNC OR M3)
 - ⑤ BUSHING = TINPLATED STEEL (INNER THREAD 4-40 UNC OR M3 OR 3,1 DIA. THROUGH-HOLE)
 - ⑥ BOARDLOCK = TINPLATED PHOSPHORBRONZE
 - ⑦ STAND OFF = ULTRAMID VO COLOR : BLACK



THIS DRAWING IS A CONTROLLED DOCUMENT.		DIN	01JUL97	Tyco Electronics Corporation	
DIMENSIONS:		CHK	J.V. LIEMPT	s-Hertogenbosch, Nederland.	
TOLERANCES UNLESS OTHERWISE SPECIFIED:		APD	09SEP97	HD-20 SIZE 1	
MM		NAME	C. SOUSA	VERTICAL+ RECEPTACLE HEADER; WITH SOLDER CONTACTS	
0 PLC ±		PRODUCT SPEC	E. LEIMENS	RESTRICTED TO	
1 PLC ±		APPLICATION SPEC		-	
2 PLC ±		WEIGHT		-	
3 PLC ±		CUSTOMER DRAWING		-	
4 PLC ±		SCALE	A2	-	
ANGLES ±		SIZE	00779	-	
FINISH		CAGE CODE	C-338313	-	
		DRAWING NO.		-	
		DATE		-	
		REV	1	-	
		SHEET	1	-	
		OF	1	-	
		REV	F1	-	

AMP 1471-9 REV 31MAR2000

338313

A