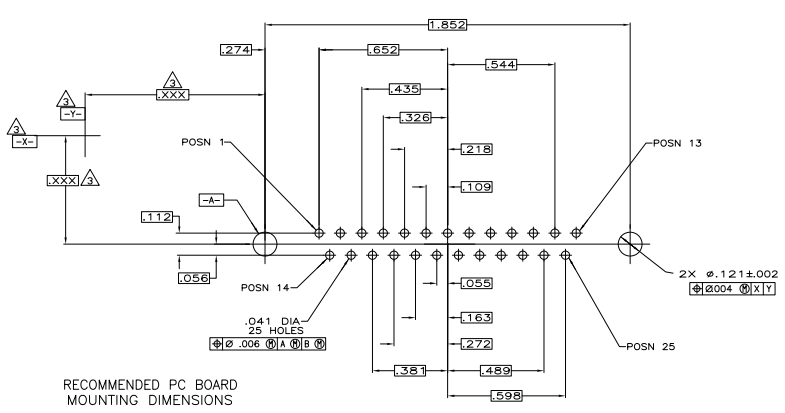
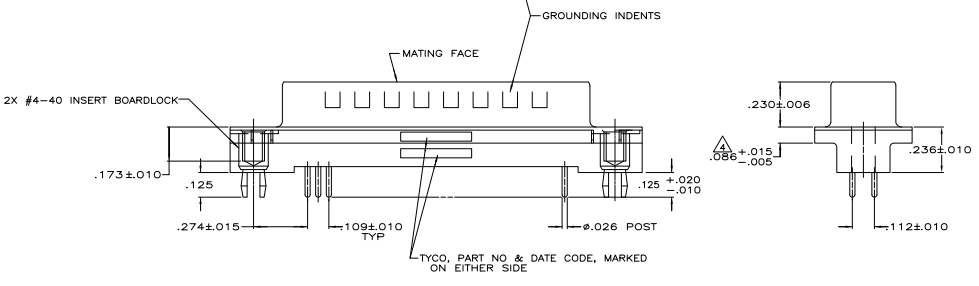
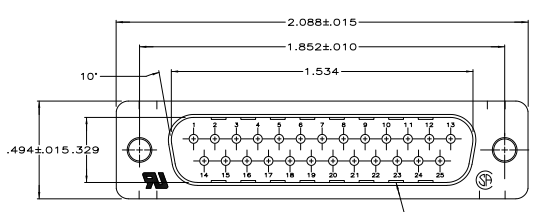


REV	DATE	DESCRIPTION	BY	CHK	APP
GP 00					
B1		REVISED PER EDD-11-004835		11MM11	RK HMR

- △ HOUSING: POLYESTER, UL 94V-0 RATED, COLOR BLACK.  
SHELL: CARBON STEEL.  
CONTACTS: BRASS.  
INSERT BOARDLOCKS: BRASS.
- △ SHELLS: .000200 MIN TIN OVER .000100 MIN COPPER.  
CONTACTS: GOLD PLATED FOR A LENGTH OF .150 MIN FROM MATING END, .000030 MIN GOLD IN MATED AREA, .000100 MIN TIN ON TERMINATION END, ALL OVER .000050 MIN NICKEL ON ENTIRE CONTACT.  
-OR-  
GOLD FLASH OVER PALLADIUM NICKEL PLATED FOR A LENGTH OF .150 MIN FROM MATING END, .000030 MIN PALLADIUM NICKEL IN MATED AREA, .000100 MIN TIN ON TERMINATION END, ALL OVER .000050 MIN NICKEL ON ENTIRE CONTACT.  
INSERT BOARDLOCKS: .000150 MIN TIN OVER .000100 MIN COPPER.
- △ DATUMS AND BASIC DIMENSIONS ESTABLISHED BY CUSTOMER.
- △ .110 MAX IN SHELL TAB CLUNCH AREAS.



RECOMMENDED PC BOARD MOUNTING DIMENSIONS

2-5747704-0  
PART NO

THIS DRAWING IS A CONTROLLED DOCUMENT.		REV	DATE	DESCRIPTION	BY	CHK	APP
REV	DATE	DESCRIPTION	BY	CHK	APP		

DESIGNER	DATE	REV	DATE	DESCRIPTION	BY	CHK	APP

REV	DATE	DESCRIPTION	BY	CHK	APP

REV	DATE	DESCRIPTION	BY	CHK	APP