

4

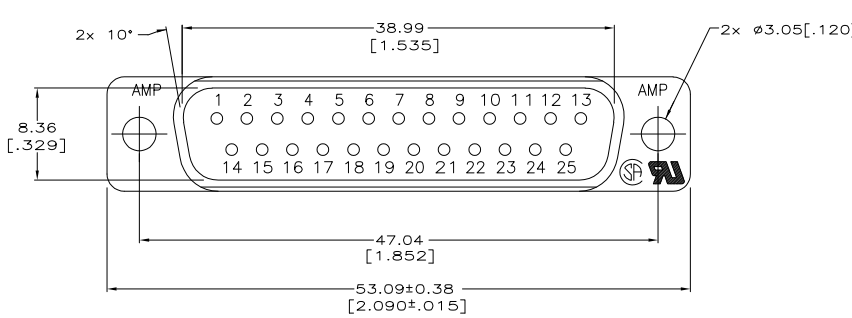
3

2

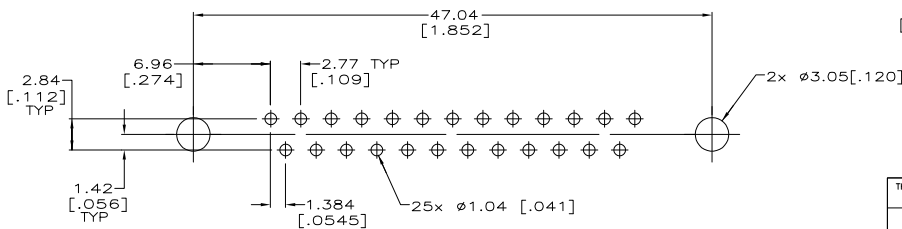
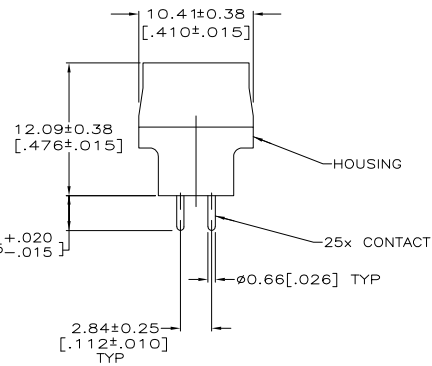
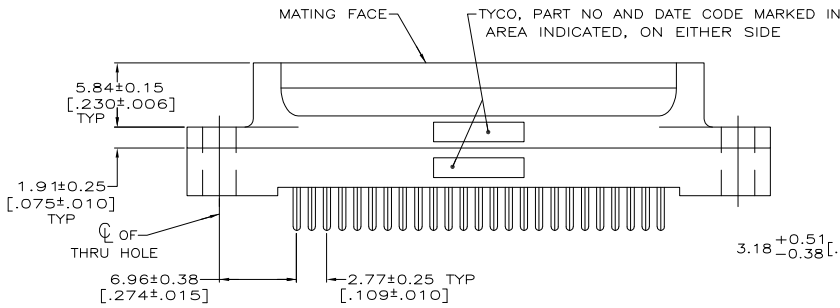
1

THIS DRAWING IS UNPUBLISHED. RELEASED FOR PUBLICATION  
 BY TYCO ELECTRONICS CORPORATION. ALL RIGHTS RESERVED.

LOC	DIST	REVISIONS		DATE	BY	APP'D
GP	00	F	LTR			
		A	REVISED PER ECO-06-024580	24JAN07	JDP	EDB



- 1 HOUSING: BLACK POLYESTER, UL 94V-0 RATED; CONTACTS: BRASS
  - 2 GOLD PLATED FOR LENGTH OF 3.81[.150] MIN FROM MATING END, GOLD FLASH IN MATED AREA, 2.54µm [.000100] MIN TIN ON SOLDER END, BOTH OVER 1.27µm [.000050] MIN NICKEL.
  - 3 GOLD PLATED FOR LENGTH OF 3.81[.150] MIN FROM MATING END, 0.76µm [.000030] MIN GOLD IN MATED AREA, 2.54µm [.000100] MIN TIN ON SOLDER END, BOTH OVER 1.27µm [.000050] MIN NICKEL.
- OR
- GOLD FLASH OVER PALLADIUM NICKEL PLATED FOR LENGTH OF 3.81 [.150] MIN FROM MATING END, 0.76µm [.000030] MIN PALLADIUM NICKEL IN MATED AREA, 2.54µm [.000100] MIN TIN ON SOLDER END, BOTH OVER 1.27µm [.000050] MIN NICKEL.



RECOMMENDED PC BOARD MOUNTING DIMENSIONS

5208008-2	
5208008-1	
PART NO	

THIS DRAWING IS A CONTROLLED DOCUMENT.		DRN C. PETERS 12SEP05	 Tyco Electronics Corporation Harrisburg, PA 17105-3608
DIMENSIONS: mm [INCHES]		CHK S. BOLASH 12SEP05	
TOLERANCES UNLESS OTHERWISE SPECIFIED:		APP'D M. WALMSLEY 12SEP05	NAME
Ø PLG	± .005	PRODUCT SPEC	108-40025
1 PLG	± .010	APPLICATION SPEC	
2 PLG	± .013 [.005]	WEIGHT	
3 PLG	± .015		
4 PLG	± .020		
ANGLES	± .005		
MATERIAL		SIZE	CAGE CODE DRAWING NO
		A2	00779 C=5208008
FINISH		RESTRICTED TO	
		CUSTOMER DRAWING	SCALE SHEET
			4:1 1 of 1 REV A

AMP 1471-9 REV 31MM0200

5208008

A