

4

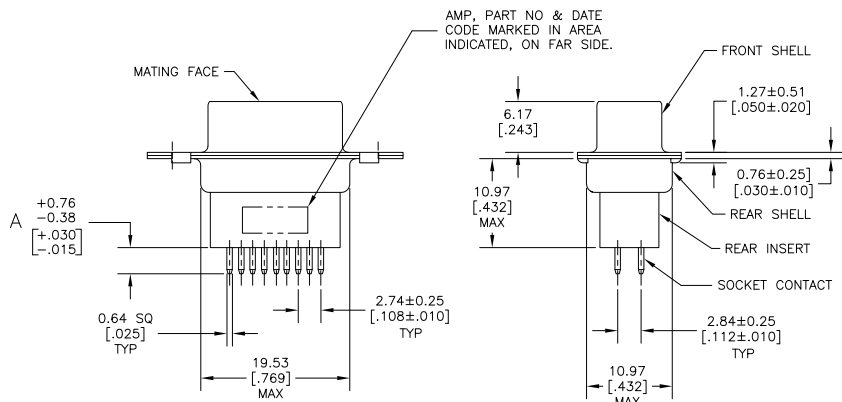
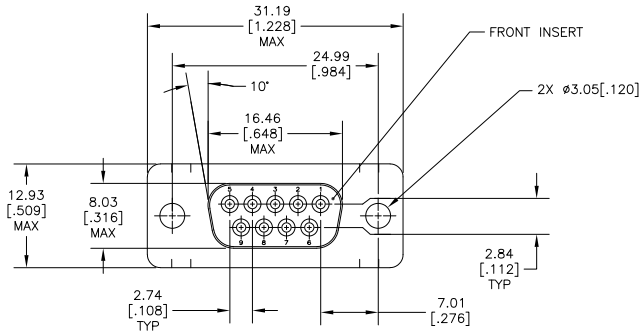
3

2

1

THIS DRAWING IS UNPUBLISHED. RELEASED FOR PUBLICATION. ALL RIGHTS RESERVED. © COPYRIGHT 2005 BY -

| LOC | | DIBT | | REVISIONS | | |
|-----|----|---------------------------|---------|-----------|------|--|
| P | LR | DESCRIPTION | DATE | BY | APPD | |
| GP | 00 | | | | | |
| | Y1 | REVISED PER ECO-11-004835 | 11MAR11 | RK | HMR | |



1. MOLDED PARTS: GLASS-FILLED NYLON, UL94V-0 RATED, BLACK. SHELLS: CARBON STEEL. CONTACTS: PHOS BRONZE.
2. SHELLS: 5.08µm [.000200] MIN ZINC WITH YELLOW CHROMATE COATING. CONTACTS: GOLD FLASH PLATED FOR LENGTH OF 3.81 [.150] MIN FROM MATING END, 2.54µm [.000100] MIN TIN-LEAD ON SOLDER END, BOTH OVER 1.27µm [.000050] MIN NICKEL.
3. NOTE DELETED.
4. NOTE DELETED.
5. NOTE DELETED.
6. NOTE DELETED.
7. SHELLS: 5.08µm [.000200] MIN ZINC WITH YELLOW CHROMATE COATING. CONTACTS: GOLD PLATED FOR LENGTH OF 3.81 [.150] MIN FROM MATING END, 0.76µm [.000030] MIN GOLD IN MATED AREA, 2.54µm [.000100] MIN TIN-LEAD ON SOLDER END, BOTH OVER 1.27µm [.000050] MIN NICKEL. OR GOLD FLASH OVER PALLADIUM-NICKEL PLATED FOR LENGTH OF 3.81 [.150] MIN FROM MATING END, 0.76µm [.000030] MIN TOTAL IN MATED AREA, 2.54µm [.000100] MIN TIN-LEAD ON SOLDER END, BOTH OVER 1.27µm [.000050] MIN NICKEL.

| | | | |
|-------------------|---|--------------|-------------|
| OBSELETE | - | - | 205734-9 |
| SUPSD BY 205734-7 | △ | 4.78 [.188] | 205734-8 |
| | △ | 4.78 [.188] | 205734-7 |
| SUPSD BY 205734-5 | - | - | 205734-6 |
| | △ | 16.54 [.651] | 205734-5 |
| | △ | 10.85 [.427] | 205734-4 |
| SUPSD BY 205734-5 | △ | 10.85 [.427] | 205734-3 |
| SUPSD BY 205734-1 | △ | 3.18 [.125] | 205734-2 |
| | △ | 3.18 [.125] | 205734-1 |
| CONTACT FINISH | A | | PART NUMBER |

| DIMENSIONS: | | TOLERANCES UNLESS OTHERWISE SPECIFIED: | | DIN J. POLIGNONE | | TE Connectivity | |
|--|--------|--|--------|-----------------------------|--------|--------------------|--------|
| mm | INCHES | 0 PLG | 1 PLG | 2 PLG | 3 PLG | 4 PLG | ANGLES |
| | | ± .005 | ± .005 | ± .005 | ± .005 | ± .005 | ± .005 |
| MATERIAL | | | | FINISH | | | |
| △ | | | | △ | | | |
| THIS DRAWING IS A CONTROLLED DOCUMENT. | | OK | | DATE | | REVISED | |
| BY: J. POLIGNONE | | BY: E. BRUNY | | DATE: 108-40025 | | REVISED: 114-40013 | |
| APPROVED: E. BRUNY | | NAME: RECEPTACLE ASSEMBLY, SIZE 1, 9 POSN, VERTICAL, AMPLIMITE HDP | | APPLICATION SPEC: 114-40013 | | RESTRICTED TO: - | |
| CUSTOMER DRAWING | | SCALE: NTS | | SHEET: 1 of 1 | | REV: Y1 | |

1471-9 (3/11)

205734

B

A