

4

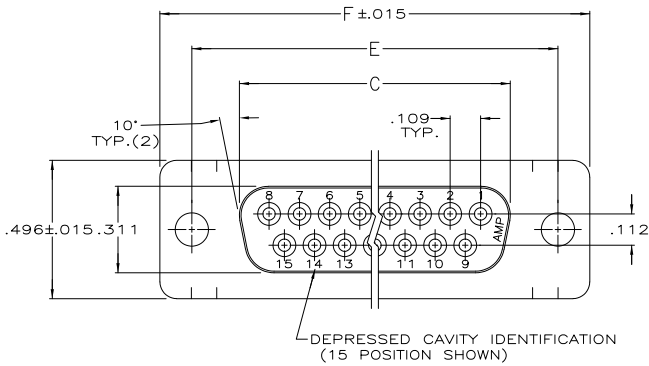
3

2

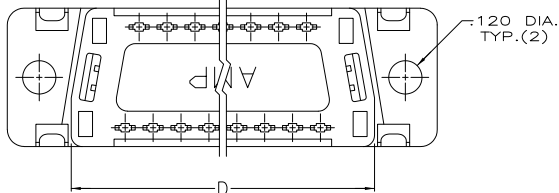
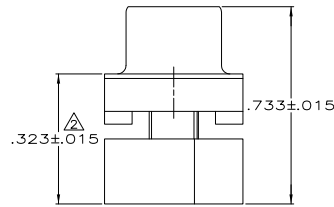
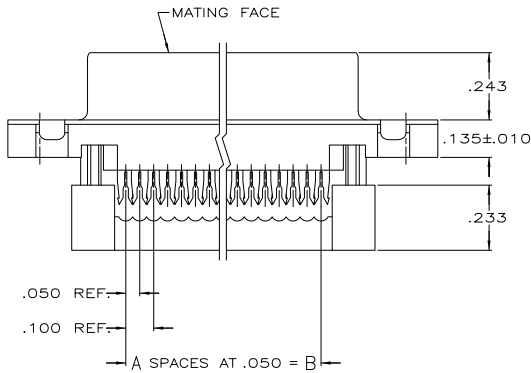
1

THIS DRAWING IS UNPUBLISHED. RELEASED FOR PUBLICATION  
 © COPYRIGHT - By - ALL RIGHTS RESERVED.

LOC		DIBT		REVISIONS			
GP	00	P	LTR	DESCRIPTION	DATE	MIN	APD
		P		REVISED PER ECO-11-004835	11MAR11	RK	HMR



- CONNECTOR DESIGNED FOR 28 AND 26 AWG STRANDED AND SOLID CONDUCTOR RIBBON CABLE ON .050.
- DIMENSION APPLIES TO TERMINATED CONNECTOR.
- MOLDED PARTS: THERMOPLASTIC, 94V-0 RATED, FLAME RETARDANT, BLACK. SHELL: STEEL PER QQ-S-698. CONTACTS: PHOSPHOR BRONZE PER QQ-B-750.
- GOLD PLATING PER MIL-G-45204, TIN PLATING PER MIL-T-10727, NICKEL PLATING PER QQ-N-290.
- SHELL: BRIGHT TIN PLATED. CONTACTS: .000030 MIN GOLD IN LOCALIZED GOLD PLATE AREA, .000100-.000200 MATTE TIN ON TERMINATION END, ALL OVER .000050 MIN NICKEL ON ENTIRE CONTACT.



1.216	.984	.759	.643	.400	8	9	1658612-4
1.541	1.312	1.087	.971	.700	14	15	1658612-3
2.090	1.852	1.623	1.511	1.200	24	25	1658612-2
2.732	2.500	2.275	2.159	1.800	36	37	1658612-1
F	E	D	C	B	A	NO OF POSN	PART NUMBER

THIS DRAWING IS A CONTROLLED DOCUMENT.

DESIGNED BY: L. BAUM	DATE: 6/13/03	 TE Connectivity
CHKD BY: C. ROHDE	DATE: 6/13/03	
DESIGNED BY: M. WALMSLEY	DATE: 6/13/03	RCPT ASSY, FRONT METAL SHELL, LEAD-FREE, AMPLIMITE HDF
CHKD BY: M. WALMSLEY	DATE: 6/13/03	
PRODUCT SPEC: 108-40012	APPLICATION SPEC: -	SIZE: A2
WEIGHT: -	CAGE CODE: 00779	DRAWING NO: C=1658612
MATERIAL: -	FINISH: -	RESTRICTED TO: -
CUSTOMER DRAWING		SCALE: 4:1 SHEET: 1 of 2 REV: P

1471-9 (3/11)

1658612

A

4

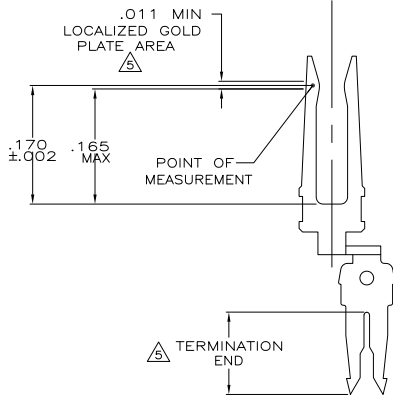
3

2

1

THIS DRAWING IS UNPUBLISHED. RELEASED FOR PUBLICATION  
 © COPYRIGHT - By - ALL RIGHTS RESERVED.

LOC	DIST	REVISIONS			
P	LTR	DESCRIPTION	DATE	BY	APPD
GP	00	SEE SHEET 1	-	-	-



CONTACT DETAIL  
 SCALE 10:1

THIS DRAWING IS A CONTROLLED DOCUMENT.		DWG L. BAUM 6/13/03 CHK C. ROHDE 6/13/03 C. M. WALMSLEY 6/13/03 NAME PRODUCT SPEC 108-40012 APPLICATION SPEC - WEIGHT - CUSTOMER DRAWING	TE Connectivity RCPT ASSY, FRONT METAL SHELL, LEAD-FREE, AMPLIMITE HDF SIZE CAGE CODE DRAWING NO A2 00779 C=1658612 RESTRICTED TO - SCALE 4:1 SHEET 2 of 2 REV P
DIMENSIONS: INCHES 0 PLC ± - 1 PLC ± - 2 PLC ± - 3 PLC ± .005 4 PLC ± ± .2 ANGLES ± ± °	DIMENSIONS: MILLIMETERS OTHER DIMENSIONS: SEE SHEET 1 FINISH: SEE SHEET 1		