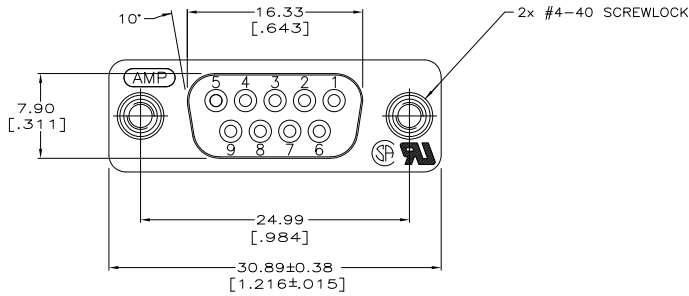
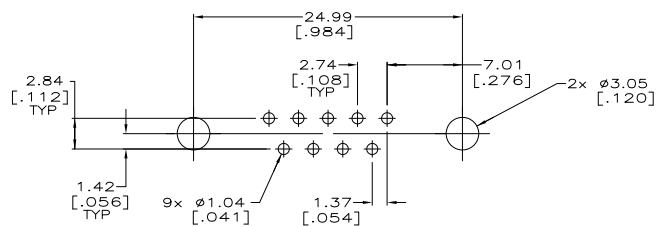
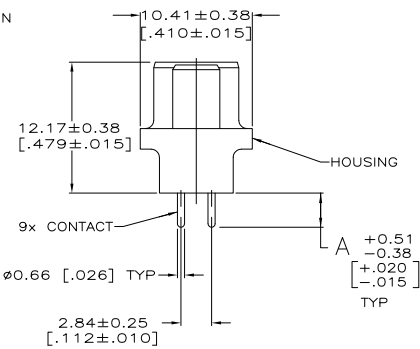
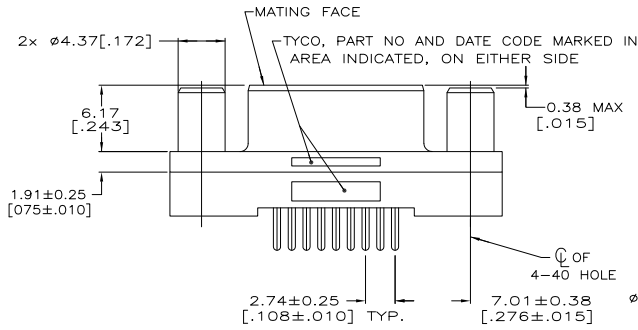


THIS DRAWING IS UNPUBLISHED.
 © COPYRIGHT - BY -
 RELEASED FOR PUBLICATION
 ALL RIGHTS RESERVED.

LOC	QTY	REV	DESCRIPTION	DATE	BY	APP
GP	00	P	REVISED PER ECO-11-004835	11MAR11	RK	HMR



- △ HOUSING: BLACK POLYESTER, UL 94V-0 RATED.
CONTACTS: PHOSPHOR BRONZE.
SCREWLOCKS: BRASS.
- △ 2 CONTACTS: SEE TABLE.
SCREWLOCKS: 1.27µm[.000050] MIN NICKEL OVER COPPER FLASH.
- △ 3 GOLD FLASH FOR A LENGTH OF 2.54[.100] MIN FROM MATING END, 2.54µm[.000100] MIN TIN ON OPPOSITE END, ALL OVER 1.27µm[.000050] MIN NICKEL.
- △ 4 0.76µm[.000030] MIN GOLD FOR A LENGTH OF 2.54[.100] MIN FROM MATING END, 2.54µm[.000100] MIN TIN ON OPPOSITE END, ALL OVER 1.27µm[.000050] MIN NICKEL.



RECOMMENDED PC BOARD
MOUNTING DIMENSIONS

**COPYRIGHT 2005
TE CONNECTIVITY CORP
ALL RIGHTS RESERVED**

4.32 [.170]	△ 4	5745076-6
3.18 [.125]	△ 4	5745076-4
3.18 [.125]	△ 3	5745076-3
A	CONTACT FINISH	PART NO

THIS DRAWING IS A CONTROLLED DOCUMENT.		DW		13SEPOS		TE Connectivity	
DIMENSIONS: mm[INCHES]		G.PETERS		S.BOLASH		RECEPTACLE ASSEMBLY, SIZE 1, 9 POSN, VERTICAL, AMPLITE HD-20	
TOLERANCES UNLESS OTHERWISE SPECIFIED:		M.WALMSLEY		M		RESTRICTED TO	
0 PRC ± - 1 PRC ± - 2 PRC ± 0.13 [005] 3 PRC ± - 4 PRC ± - ANGLES ± °		PRODUCT SPEC		108-40025		SCALE 4:1 SHEET 1 of 1 REV P	
MATERIAL		WEIGHT		SIZE CASE CODE DRAWING NO		A2 00779 ©=5745076	
FINISH		CUSTOMER DRAWING		SCALE 4:1		SHEET 1 of 1 REV P	