

4

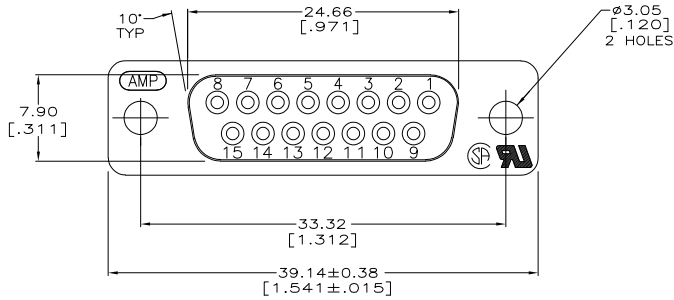
3

2

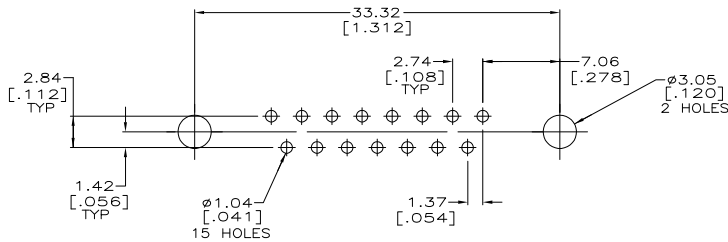
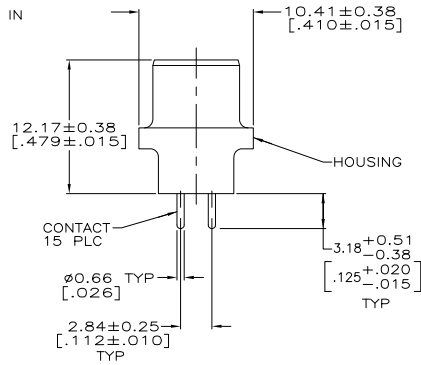
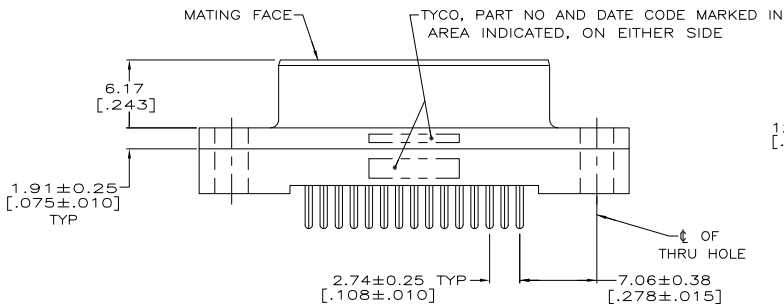
1

THIS DRAWING IS UNPUBLISHED. RELEASED FOR PUBLICATION
 © COPYRIGHT BY TYCO ELECTRONICS CORPORATION. ALL RIGHTS RESERVED.

LOC		DIBT		REVISIONS			
P	LTR	DESCRIPTION	DATE	BY	APP'D		
0		RELEASED PER EC 0513-0087-05		OBSEPOS	GP	JG	



- △ HOUSING: BLACK POLYESTER, UL 94V-0 RATED. CONTACTS: PHOSPHOR BRONZE.
- △ GOLD FLASH FOR A LENGTH OF 2.54[.100] MIN FROM MATING END, 2.54µm[.000100] MIN TIN FOR A LENGTH OF 3.18[.125] FROM OPPOSITE END, ALL OVER 1.27µm[.000050] MIN NICKEL.
- △ 0.76µm[.000030] MIN GOLD FOR A LENGTH OF 2.54[.100] MIN FROM MATING END, 2.54µm[.000100] MIN TIN FOR A LENGTH OF 3.18[.125] FROM OPPOSITE END, ALL OVER 1.27µm[.000050] MIN NICKEL.



RECOMMENDED PC BOARD MOUNTING DIMENSIONS

**COPYRIGHT 2005
 TYCO ELECTRONICS CORP
 ALL RIGHTS RESERVED**

△	5207827-4
△	5207827-3
CONTACT FINISH	PART NO

THIS DRAWING IS A CONTROLLED DOCUMENT.		DR: C. PETERS	ORSEPOS	tyco	Tyco Electronics Corporation
DIMENSIONS: INCHES		CHK: S. BOLASH	ORSEPOS	Electronics	Harrisburg, PA 17105-3608
TOLERANCES UNLESS OTHERWISE SPECIFIED:		APP: M. WALMSLEY	ORSEPOS	RECEPTACLE ASSEMBLY, SIZE 2, 15 POSN, VERTICAL, AMPLIMITE HD-20	
0 PLC ± .005		PRODUCT SPEC: 108-40025	ORSEPOS	RESTRICTED TO	
1 PLC ± .010 (209)		APPLICATION SPEC: -	ORSEPOS	SIZE: A2	CAGE CODE: 00779
2 PLC ± .015		HEIGHT: -	ORSEPOS	DRAWING NO: C=5207827	
3 PLC ± .020		FINISH: -	ORSEPOS	SCALE: 4:1	
4. ANGLES ± .5°		CONTACTS: SEE TABLE	ORSEPOS	SHEET: 1 of 1	
MATERIAL: 1			ORSEPOS	REV: 0	
CUSTOMER DRAWING			ORSEPOS		

AMP 1471-9 REV 31MMR2000

5207827

A