

4

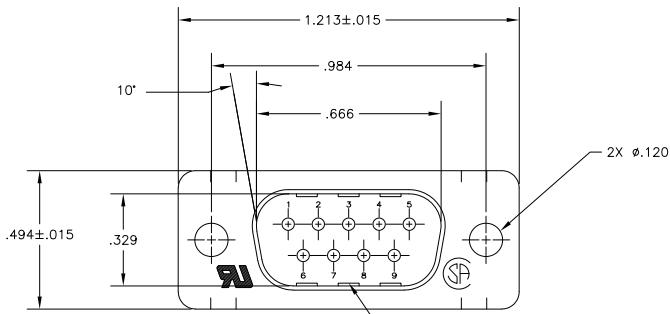
3

2

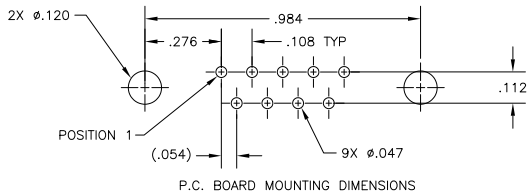
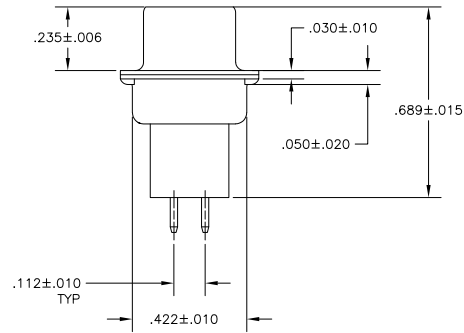
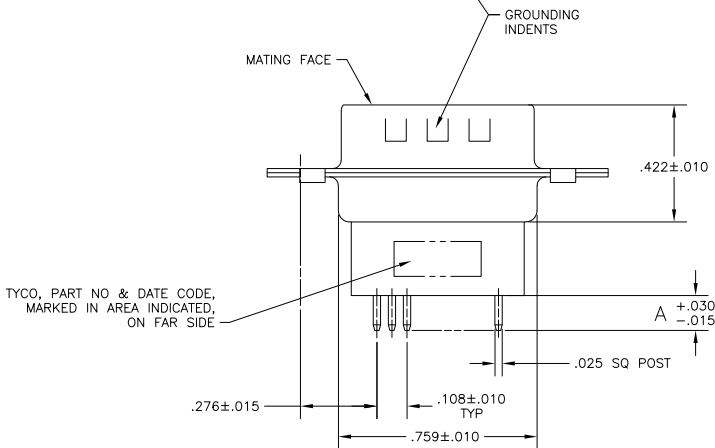
1

THIS DRAWING IS UNPUBLISHED. RELEASED FOR PUBLICATION
 © COPYRIGHT 2005 BY TYCO ELECTRONICS CORPORATION. ALL RIGHTS RESERVED.

LOC		DIBT		REVISIONS			
GP	00	P	LTR	DESCRIPTION	DATE	MIN	APD
		C		REVISED PER ECO-10-000073	3FEB2010	CJV	SB



- ① MOLDED PARTS: GLASS-FILLED NYLON, UL 94V-0 RATED, COLOR BLACK.
SHELLS: CARBON STEEL
CONTACTS: BRASS
- ② SHELLS: .000200 MIN TIN OVER .000100 MIN COPPER.
CONTACTS: GOLD PLATING FOR A LENGTH OF .150 MIN FROM MATING END, .000030 MIN GOLD IN MATED AREA, .000100 MIN TIN ON SOLDER END, BOTH OVER .000050 MIN NICKEL.
-OR-
GOLD FLASH OVER PALLADIUM-NICKEL PLATED FOR A LENGTH OF .150 MIN FROM MATING END, .000030 MIN TOTAL IN MATED AREA, .000100 MIN TIN ON SOLDER END, BOTH OVER .000050 MIN NICKEL.



.188	5745410-7
.125	5745410-1
A	PART NO

THIS DRAWING IS A CONTROLLED DOCUMENT.		DR: S. LATTUCA 15SEP105	Tyco Electronics Corporation Harrisburg, Pa 17105-3608	
DIMENSIONS: INCHES		CK: S. BOLASH 15SEP105	APD: M. WALMSLEY 15SEP105	
TOLERANCES UNLESS OTHERWISE SPECIFIED:		PRODUCT SPEC: 108-40025		
Ø	PLC	±	APPLICATION SPEC: 114-40013	SIZE: A2
Ø	PLC	±	HEIGHT: -	CAGE CODE (FOWING 10): 00779
Ø	PLC	±	FINISH: -	C=5745410
Ø	PLC	±	MATERIAL: -	RESTRICTED TO: -
Ø	PLC	±	ANGLES: -	SCALE: NTS
Ø	PLC	±	FINISH: -	SHEET: 1 OF 1
CUSTOMER DRAWING		REV: C		

AMP 1471-9 REV 31MM2000

5745410

A