

4

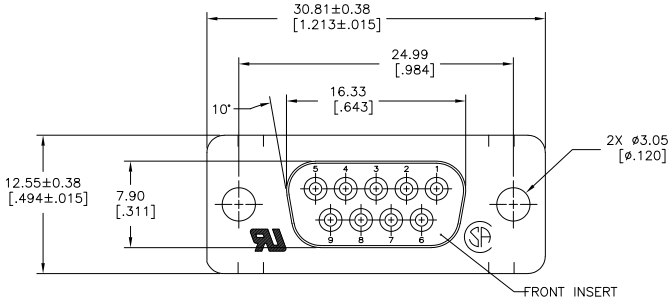
3

2

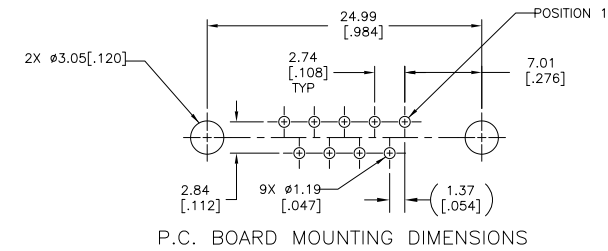
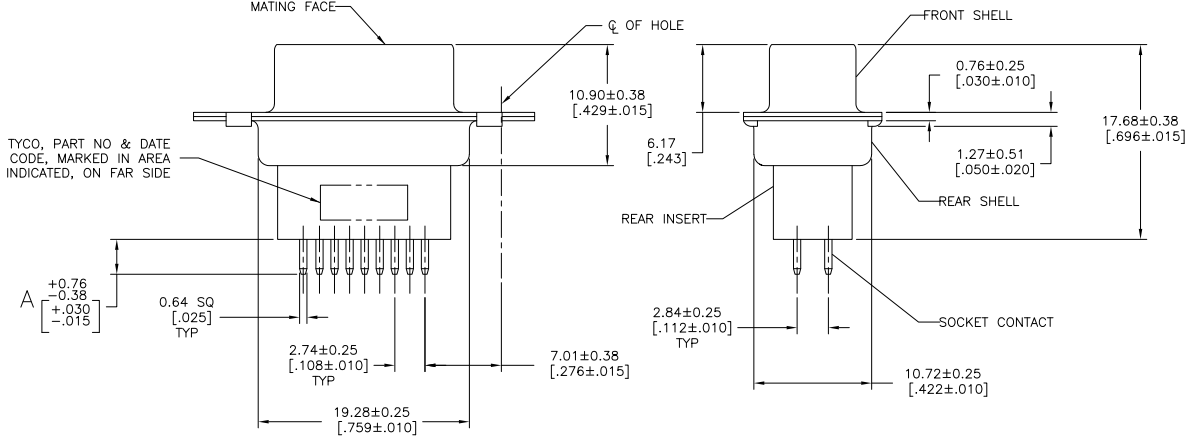
1

THIS DRAWING IS UNPUBLISHED. RELEASED FOR PUBLICATION. ALL RIGHTS RESERVED. © COPYRIGHT 2009 By -

LOC	DIST	REVISIONS			
F	LNK	DESCRIPTION	DATE	BY	APPD
GP	00				
	C1	REVISED PER ECO-11-004835	11MAR11	RK	HMR



- ⚠ MOLDED PARTS: GLASS-FILLED NYLON, UL 94V-0 RATED, COLOR BLACK.  
SHELLS: CARBON STEEL  
CONTACTS: PHOS BRONZE
- ⚠ SHELLS: 5.08µm [.000200] MIN TIN OVER 2.54µm [.000100] MIN COPPER.  
CONTACTS: SEE TABLE
- ⚠ 0.76µm [.000030] MIN GOLD ON MATING END, 2.54µm [.000100] MIN TIN ON SOLDER END, BOTH OVER 1.27µm [.000050] MIN NICKEL  
-OR-  
GOLD FLASH OVER PALLADIUM-NICKEL, 0.76µm [.000030] MIN TOTAL ON MATING END, 2.54µm [.000100] MIN TIN ON SOLDER END, BOTH OVER 1.27µm [.000050] MIN NICKEL.
- ⚠ GOLD FLASH ON SOLDER END, 2.54µm [.000100] MIN TIN ON SOLDER END, BOTH OVER 1.27µm [.000050] MIN NICKEL.



⚠	4.78 [.188]	5745183-7
⚠	10.85 [.427]	5745183-3
⚠	3.18 [.125]	5745183-2
⚠	3.18 [.125]	5745183-1
GOLD FINISH	A	PART NUMBER

DIMENSIONS		TOLERANCES UNLESS OTHERWISE SPECIFIED		MATERIAL		FINISH	
mm	[INCHES]	FRACTIONS	DECIMALS	PLC	PLC	PLC	PLC
		ø	±	0	1	2	3
			±	0	0.13	(.005)	
			±	°			
			±				

THIS DRAWING IS A CONTROLLED DOCUMENT.		DRW	B. LATTUCA	07SEP105
		CHK	S. BOLASH	07SEP105
		APP	M. WALMSLEY	07SEP105
		NAME	RECEPTACLE ASSY, SIZE 1, 9 POS, VERTICAL, AMPLIMITE HDP	
		PRODUCT SPEC	108-40025	
		APPLICATION SPEC	114-40013	
		WEIGHT	-	
		CUSTOMER DRAWING	SIZE	A2
			DATE CODE	00779
			DRAWING NO	C=5745183
			SCALE	NTS
			SHEET	1 of 1
			REV	C1

1471-9 (3/11)

5745183

A