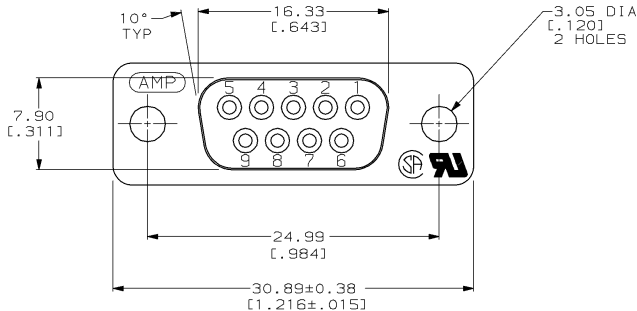
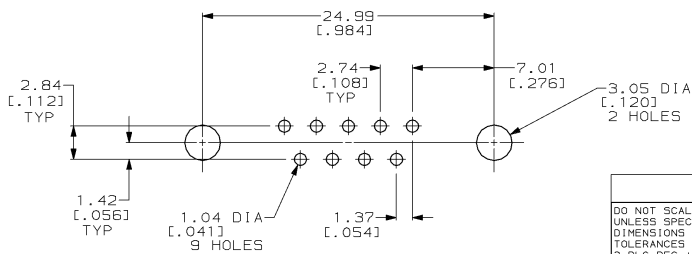
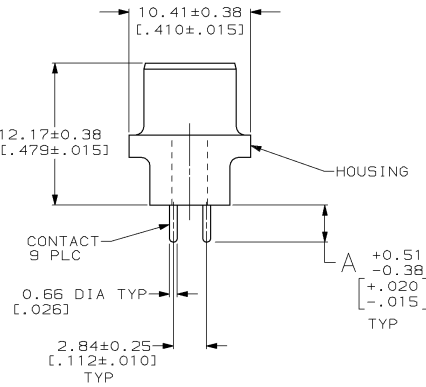
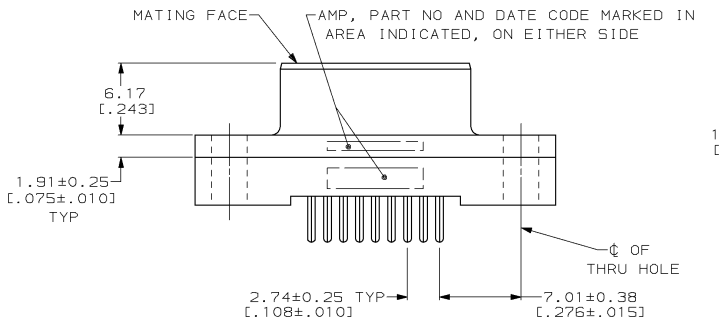


4 3 2 1
 DRAWING MADE IN THIRD ANGLE PROJECTION
 THIS DRAWING IS UNPUBLISHED. RELEASED FOR PUBLICATION
 © COPYRIGHT 19 BY AMP INCORPORATED. ALL INTERNATIONAL RIGHTS RESERVED.

LOC	DIST	P	F	ZONE	LTR	DESCRIPTION	DATE	APPD
BD	77							
						D REDRAWN & REVISED, ECN 803361	11-89	SS
						E OBS 207826-7, -8 8D6038	08/10/92	CR
						F OBS -5, -6 PER EC 0020-964-93	04/05/94	CR



- △ HOUSING: BLACK POLYESTER, UL 94V-0 RATED; CONTACTS: PHOSPHOR BRONZE PER QQ-B-750.
- △ GOLD PLATING PER MIL-G-45204, TIN PLATING PER MIL-T-10727, NICKEL PLATING PER QQ-N-290.
- △ GOLD FLASH FOR A LENGTH OF 2.54 [0.100] MIN FROM MATING END, 2.54μm [0.000100] MIN TIN OR TIN-LEAD FOR A LENGTH OF DIMENSION A FROM OPPOSITE END, ALL OVER 1.27μm [0.000050] MIN NICKEL.
- △ 0.76μm [0.000030] MIN GOLD FOR A LENGTH OF 2.54 [0.100] MIN FROM MATING END, 2.54μm [0.000100] MIN TIN OR TIN-LEAD FOR A LENGTH OF DIMENSION A FROM OPPOSITE END, ALL OVER 1.27μm [0.000050] MIN NICKEL.



OBSELETE	6.35 [0.250]	△	207826-8
OBSELETE	6.35 [0.250]	△	207826-7
OBSELETE	4.32 [0.170]	△	207826-6
OBSELETE	4.32 [0.170]	△	207826-5
	3.18 [0.125]	△	207826-4
	3.18 [0.125]	△	207826-3

DO NOT SCALE PRINT. UNLESS SPECIFIED DIMENSIONS IN mm [INCHES]		DR 11-16-89 J McCLINTON		AMP AMP INCORPORATED Harrisburg, Pa. 17105	
TOLERANCES ON:		CHK 2-1-90 R. STONE		NAME	
2 PLC DEC ± 0.13 [0.005]		APPD 2-2-90 S. SCHIEFERLY		RECEPTACLE ASSEMBLY, SIZE 1, 9 POSN, VERTICAL, AMPLIMITE® HD-20	
3 PLC DEC ± "		APPD 2-2-90 C. RÖHDE		SIZE	
ANGLES ± 2°		PRODUCT SPEC 108-40025		CAGE CODE	
MATERIAL		APPLICATION SPEC		DRAWING NO	
FINISH		CONTACT: SEE TABLE		00779	
WEIGHT		SCALE 4:1		207826	
				SHEET 1 OF 1	

AMP 1471-6 REV 6-89
 05-APR-94 12:21:27 amp33732 /files/wip/amp33732/edmod

CUSTOMER DRAWING