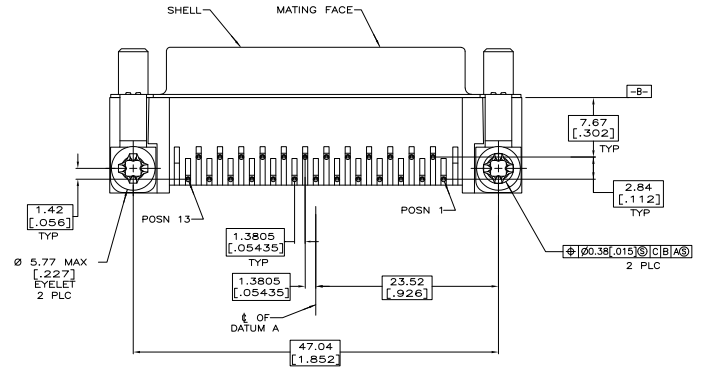
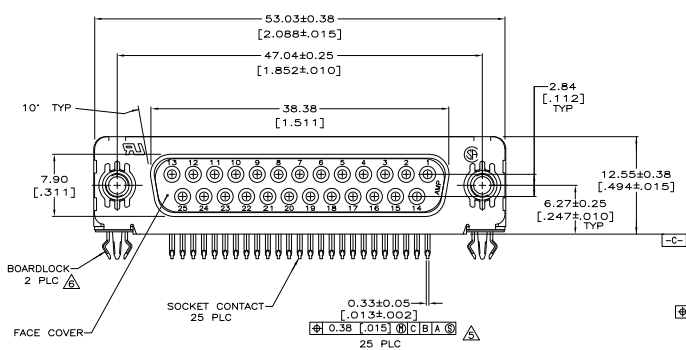
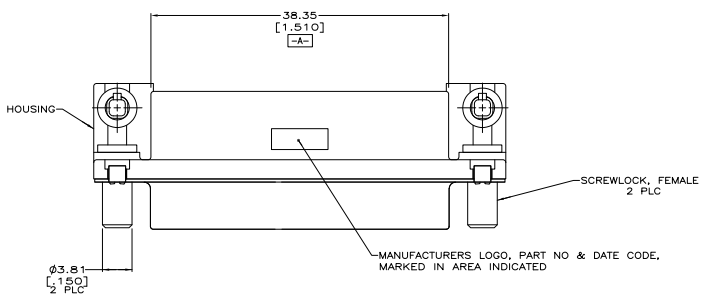
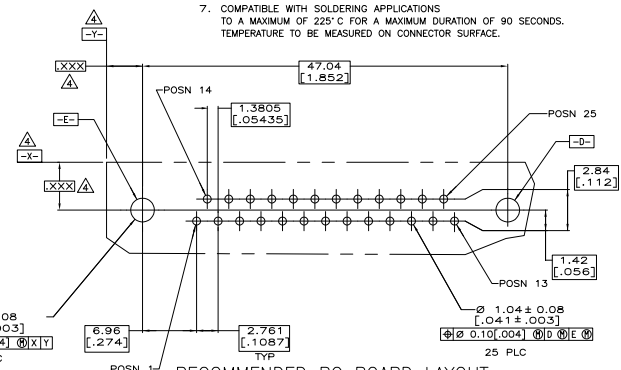


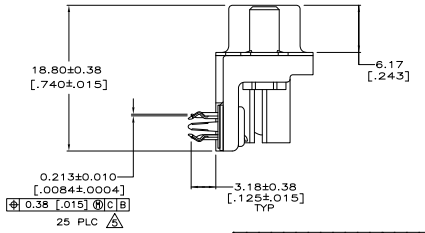
REV	DATE	DESCRIPTION	BY	CHK	APP
00					
01	04-12-05	RELEASED PER EC 0513-0016-05	JA	JG	



- △ HOUSING & FACE COVER: NYLON, THERMOPLASTIC, UL 94VO RATED, BLACK; SHELL: CARBON STEEL. SOCKET CONTACTS: PHOSPHOR BRONZE; EYELETS: BRASS; SCREWLOCKS: ZINC; BOARDLOCKS: COPPER ALLOY.
- △ SOCKET CONTACTS: GOLD PLATED FOR A LENGTH OF 1.27 [0.050] MIN FROM MATING END, 0.76µm [0.00030] MIN GOLD IN MATED AREA, 2.54µm [0.00100] MIN TIN FOR A LENGTH OF 3.56 [140] MIN FROM OPPOSITE END, BOTH OVER 1.27µm [0.00050] MIN NICKEL. EYELETS: 2.54µm [0.00100] MIN TIN OVER COPPER FLASH. SHELL: 2.54µm [0.00100] MIN TIN OVER 1.27µm [0.00050] MIN COPPER. SCREWLOCKS: CLEAR CHROMATE. BOARDLOCKS: 3.81µm [0.00150] MIN TIN OVER 1.27µm [0.00050] MIN NICKEL.
- △ SOCKET CONTACTS: GOLD PLATED FOR A LENGTH OF 1.27 [0.050] MIN FROM MATING END, GOLD FLASH IN MATED AREA, 2.54µm [0.00100] MIN TIN OVER 1.27µm [0.00050] MIN NICKEL. EYELETS: 2.54µm [0.00100] MIN TIN OVER COPPER FLASH. SHELL: 2.54µm [0.00100] MIN TIN OVER 1.27µm [0.00050] MIN COPPER. SCREWLOCKS: CLEAR CHROMATE. BOARDLOCKS: 3.81µm [0.00150] MIN TIN OVER 1.27µm [0.00050] MIN NICKEL.
- △ DATUMS AND BASIC DIMENSIONS ESTABLISHED BY CUSTOMER.
- △ POSITION TOLERANCE APPLIES AT CONTACT TIP.
- △ BOARDLOCKS WILL ACCEPT .062 MAX PRINTED CIRCUIT BOARD THICKNESS.
- 7. COMPATIBLE WITH SOLDERING APPLICATIONS TO A MAXIMUM OF 225°C FOR A MAXIMUM DURATION OF 90 SECONDS. TEMPERATURE TO BE MEASURED ON CONNECTOR SURFACE.



RECOMMENDED PC BOARD LAYOUT
1.57 [0.062] PC BOARD THICKNESS



△	5788801-2
△	5788801-1
△	PART NO

THIS DRAWING IS A CONTROLLED DOCUMENT.		REV	DATE	DESCRIPTION	BY	CHK	APP
REV	DATE	DESCRIPTION	BY	CHK	APP		
01	04-12-05	RELEASED PER EC 0513-0016-05	JA	JG			

THIS DRAWING IS UNCLASSIFIED UNLESS INDICATED OTHERWISE BY THIS ELECTRONICS CORPORATION. ALL RIGHTS RESERVED.	TYCO ELECTRONICS CORP	108-40025	114-40010	100779	5788801
---	-----------------------	-----------	-----------	--------	---------

COPYRIGHT 2005
TYCO ELECTRONICS CORP
ALL RIGHTS RESERVED