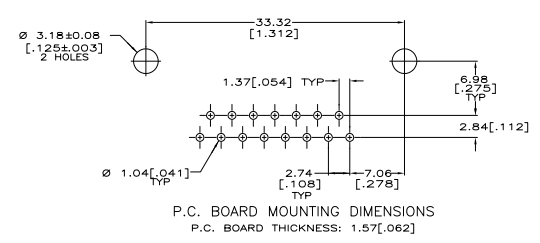
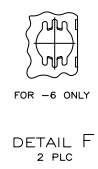
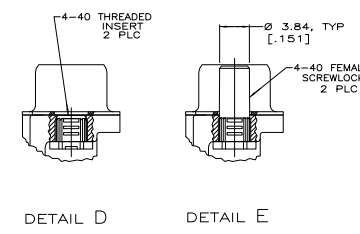
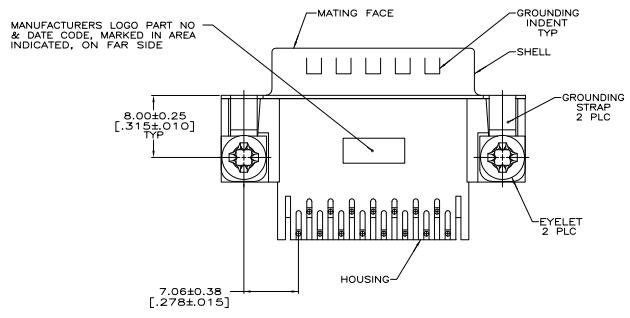


△ HOUSING: NYLON OR POLYESTER, FLAME RETARDANT, UL 94V-0 RATED, GLASS FILLED, BLACK.  
 CONTACTS: BRASS  
 SHELL: CARBON STEEL  
 EYELETS: BRASS  
 SCREWLOCKS & INSERTS: ZINC  
 BOARDLOCKS: COPPER ALLOY

△ SHELL: 2.54µm[.000100] MIN TIN OVER 1.27µm[.000050] MIN COPPER.  
 EYELETS: 2.54µm[.000100] MIN TIN OVER COPPER FLASH.  
 BOARDLOCKS: 3.81µm[.000150] MIN TIN OVER 1.27µm[.000050] MIN NICKEL.  
 CONTACTS: GOLD PLATED FOR A LENGTH OF 3.81 [.150] MIN FROM MATING END, 0.76µm [.000030] MIN GOLD IN MATED AREA, 2.54µm [.000100] MIN TIN FOR A LENGTH OF 3.56 [.140] MIN FROM OPPOSITE END, BOTH OVER 1.27µm[.000050] MIN NICKEL.  
 -OR-  
 GOLD FLASH OVER PALLADIUM NICKEL PLATED FOR A LENGTH OF 3.81 [.150] MIN FROM MATING END, 0.76µm [.000030] MIN PALLADIUM NICKEL IN MATED AREA, 2.54µm [.000100] MIN TIN FOR A LENGTH OF 3.56 [.140] MIN FROM OPPOSITE END, BOTH OVER 1.27µm[.000050] MIN NICKEL.  
 SCREWLOCKS & INSERTS: CLEAR CHROMATE



SEE DETAIL E	5747833-6
SEE DETAIL D	5747833-4
MOUNTING HARDWARE	PART NUMBER

**COPYRIGHT 2005  
 TYCO ELECTRONICS CORP  
 ALL RIGHTS RESERVED**

THIS DRAWING IS A CONTROLLED DOCUMENT		REV	DATE	BY	CHK	APP
1	INITIALS	03/11/07	03/11/07	W. WILMSLEY		
2	DATE	03/11/07	03/11/07			
3	BY					
4	CHK					
5	APP					
6	DATE					
7	BY					
8	CHK					
9	APP					
10	DATE					
11	BY					
12	CHK					
13	APP					
14	DATE					
15	BY					
16	CHK					
17	APP					
18	DATE					
19	BY					
20	CHK					
21	APP					
22	DATE					
23	BY					
24	CHK					
25	APP					
26	DATE					
27	BY					
28	CHK					
29	APP					
30	DATE					
31	BY					
32	CHK					
33	APP					
34	DATE					
35	BY					
36	CHK					
37	APP					
38	DATE					
39	BY					
40	CHK					
41	APP					
42	DATE					
43	BY					
44	CHK					
45	APP					
46	DATE					
47	BY					
48	CHK					
49	APP					
50	DATE					
51	BY					
52	CHK					
53	APP					
54	DATE					
55	BY					
56	CHK					
57	APP					
58	DATE					
59	BY					
60	CHK					
61	APP					
62	DATE					
63	BY					
64	CHK					
65	APP					
66	DATE					
67	BY					
68	CHK					
69	APP					
70	DATE					
71	BY					
72	CHK					
73	APP					
74	DATE					
75	BY					
76	CHK					
77	APP					
78	DATE					
79	BY					
80	CHK					
81	APP					
82	DATE					
83	BY					
84	CHK					
85	APP					
86	DATE					
87	BY					
88	CHK					
89	APP					
90	DATE					
91	BY					
92	CHK					
93	APP					
94	DATE					
95	BY					
96	CHK					
97	APP					
98	DATE					
99	BY					
100	CHK					