

4

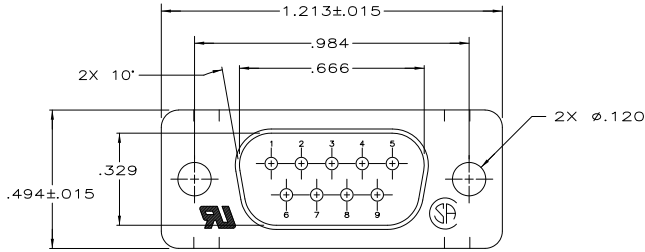
3

2

1

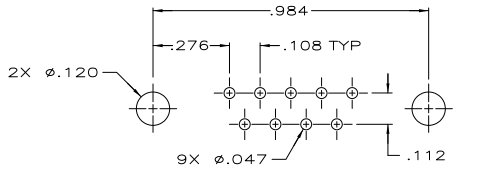
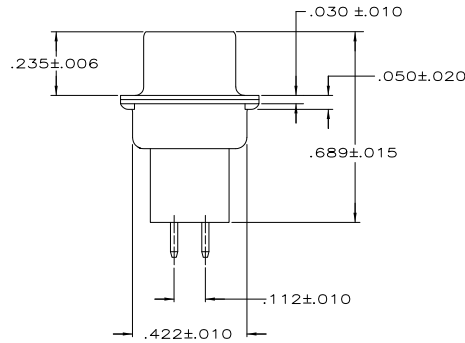
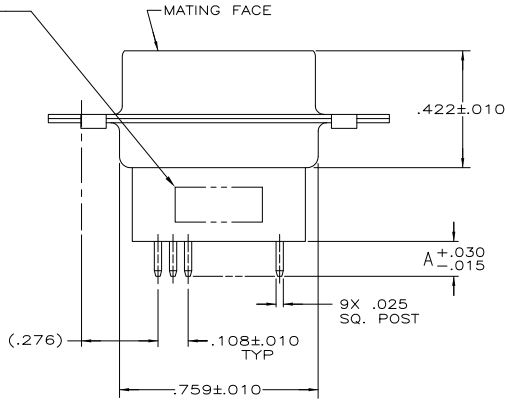
THIS DRAWING IS UNPUBLISHED. RELEASED FOR PUBLICATION. BY TYCO ELECTRONICS CORPORATION. ALL INTERNATIONAL RIGHTS RESERVED.

| LOC | DIST | REVISIONS | | | | |
|-----|------|-----------|----|---------------------------|-----------|--------|
| GP | 00 | P | LR | DATE | MIN | APD |
| | | K | | REVISED PER ECO-10-000073 | 12FEB2010 | CJV SB |



1. NOTE DELETED.
2. MOLDED PART MATERIAL: FLAME RETARDANT 94V-0 RATED THERMOPLASTIC; COLOR: BLACK.
3. SHELL MATERIAL: STEEL.
4. CONTACT MATERIAL: BRASS.
5. NOTE DELETED.
6. SHELL PLATING: TIN.
7. CONTACT PLATING: GOLD PLATED FOR LENGTH OF .150 MIN FROM MATING END, GOLD FLASH IN MATED AREA, .000100 MIN TIN-LEAD ON OPPOSITE END, BOTH OVER .000050 MIN NICKEL.
8. CONTACT PLATING: GOLD PLATED FOR LENGTH OF .150 MIN FROM MATING END, .000030 MIN GOLD IN MATED AREA, .000100 MIN TIN-LEAD ON OPPOSITE END, BOTH OVER .000050 MIN NICKEL.

"AMP", PART NO. & DATE CODE, STAMPED IN AREA INDICATED, ON FAR SIDE



P.C. BOARD MOUNTING DIMENSIONS

| | | | |
|-------------------|--------|------|-------------|
| SUPSD BY 745410-7 | △△ | .188 | 745182-8 |
| OBSOLETE | △△ | .188 | 745182-7 |
| OBSOLETE | △△ | .651 | 745182-6 |
| SUPSD BY 745410-5 | △△ | .651 | 745182-5 |
| OBSOLETE | △△ | .427 | 745182-4 |
| OBSOLETE | △△ | .427 | 745182-3 |
| OBSOLETE | △△ | .125 | 745182-2 |
| SUPSD BY 745410-1 | △△ | .125 | 745182-1 |
| | FINISH | A | PART NUMBER |

THIS DRAWING IS A CONTROLLED DOCUMENT.

| | | | |
|------------------|-----------|----------|---|
| DWG | J. GERACE | 10-25-83 | Tyco Electronics Corporation Harrisburg, PA 17105-3608 |
| CHK | J. GERACE | 10-25-83 | |
| APP'D | B. TAYLOR | 01-04-84 | PLUG ASSEMBLY, SIZE 1, 9 POSN, VERTICAL, .025 SQ. POSTS, AMPLIMITE® HDP |
| PRODUCT SPEC | 108-40025 | | |
| APPLICATION SPEC | 114-40013 | | RESTRICTED TO |
| WEIGHT | - | | A2 00779 C=745182 |
| MATERIAL | SEE TABLE | | CUSTOMER DRAWING |

SCALE: NTS SHEET 1 of 1 REV K