

4

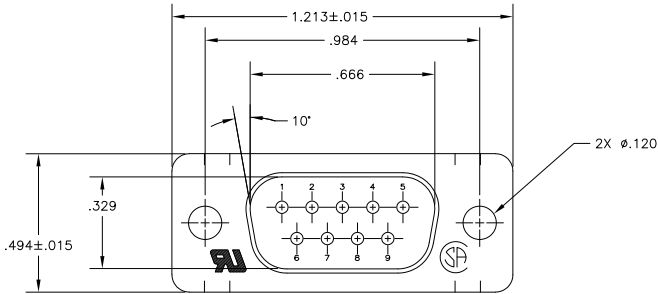
3

2

1

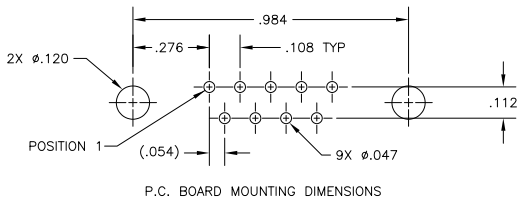
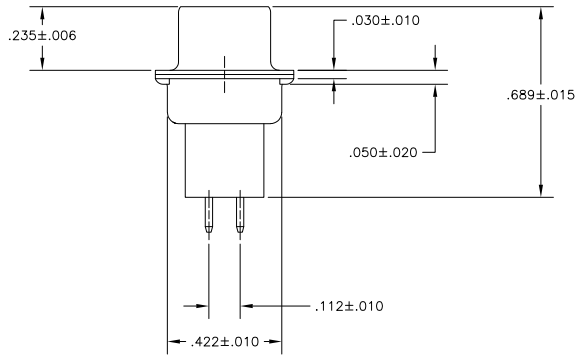
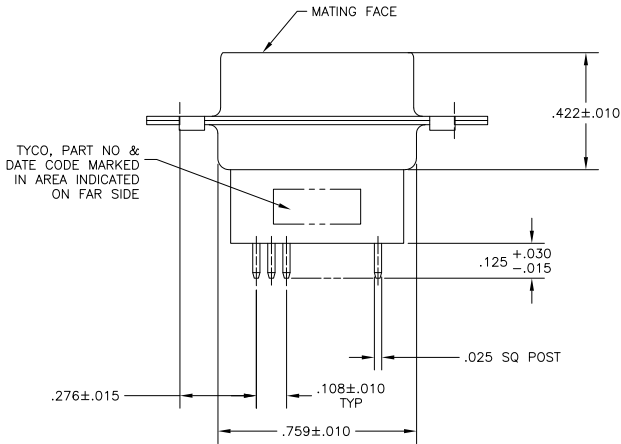
THIS DRAWING IS UNPUBLISHED. RELEASED FOR PUBLICATION  
 © COPYRIGHT 2005 BY TYCO ELECTRONICS CORPORATION. ALL RIGHTS RESERVED.

LOC	DIST	REVISIONS			
P	LTR	DESCRIPTION	DATE	MIN	APD
GP	00	B	REVISED PER ECO-10-000073	1FEB2010	CJV SB



1 MOLDED PARTS: GLASS-FILLED NYLON, UL 94V-0 RATED, COLOR BLACK.  
 SHELLS: CARBON STEEL.  
 CONTACTS: BRASS.

2 SHELLS: .000200 MIN TIN OVER .000100 MIN COPPER.  
 CONTACTS: GOLD PLATED FOR LENGTH OF .150 MIN FROM MATING END,  
 GOLD FLASH IN MATED AREA, .000100 MIN TIN ON OPPOSITE END, BOTH  
 OVER .000050 MIN NICKEL.



5745182-2  
 PART NO

THIS DRAWING IS A CONTROLLED DOCUMENT.		DR: S. LAITUCA 07SEP05	Tyco Electronics Corporation Harrisburg, PA 17105-3608
DIMENSIONS: INCHES		CHK: S. BOLASH 07SEP05	
OTHER DIMENSIONS: MILLIMETERS		APP: M. WALMSLEY 07SEP05	PLUG ASSEMBLY, SIZE 1, 9 POSN, VERTICAL, AMPLIMITE HDP
PRODUCT SPEC: 108-40025		APPLICATION SPEC: 114-40013	
MATERIAL:		WEIGHT: -	RESTRICTED TO: -
FINISH:		SIZE: A2	CAGE CODE: 00779
		DRAWING NO: C=5745182	
		SCALE: NTS	
		SHEET: 1 of 1	
		REV: B	

AMP 1471-9 REV 31MM2000

5745182

A