

4

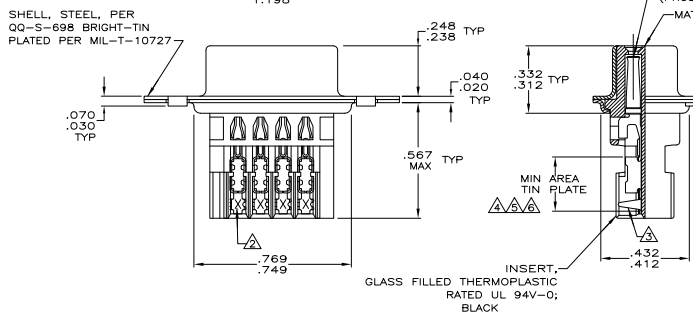
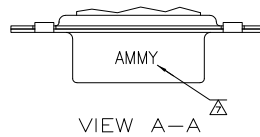
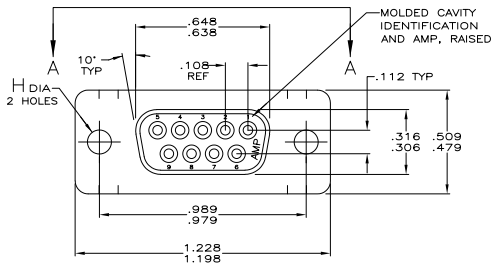
3

2

1

THIS DRAWING IS UNPUBLISHED. RELEASED FOR PUBLICATION. ALL RIGHTS RESERVED.

LOC		DIBT		REVISIONS			
GP	00	P	LTR	DESCRIPTION	DATE	BY	APPD
		M3		REVISED PER ECO-11-004835	11MAR11	RK	HMR



- △ HOUSING FULLY LOADED WITH CONTACTS.
- △ NUMBER ON CONTACT INDICATES WIRE RANGE.
- △ CONTACT INSULATION RANGE: .060 MAXIMUM O.D.
- △ .000030 GOLD ON MATING END FOR .100 MIN LENGTH. .000100-.000200 BRIGHT TIN OR BRIGHT TIN-LEAD IN AREA SHOWN. .000050 NICKEL UNDERPLATE ON ENTIRE CONTACT.
- △ .000001 MIN GOLD ON MATING END FOR .100 MIN LENGTH. .000100-.000200 BRIGHT TIN OR BRIGHT TIN-LEAD IN AREA SHOWN. .000030 NICKEL UNDERPLATE ON ENTIRE CONTACT.
- △ .000050 MIN GOLD FOR A LENGTH OF .100 MIN FROM MATING END. .000100 MIN TIN OR TIN-LEAD IN TIN PLATE AREA. BOTH OVER .000050 MIN NICKEL.
- △ SPECIAL DATE CODE IN THIS APPROXIMATE AREA. A; MM = MONTH; Y = LAST DIGIT OF YEAR.
- △ SUPERSEDED BY 745491-5
- △ SUPERSEDED BY 745491-3
- △ SUPERSEDED BY 745491-1
- △ .000030 GOLD ON MATING END FOR .100 MIN LENGTH. .000100-.000200 MATTE TIN IN AREA SHOWN. .000050 NICKEL UNDERPLATE ON ENTIRE CONTACT.
- △ .000001 MIN GOLD ON MATING END FOR .100 MIN LENGTH. .000100-.000200 MATTE TIN IN AREA SHOWN. .000030 NICKEL UNDERPLATE ON ENTIRE CONTACT.

STANDARD	INSULATION	CONTACT	AWG	WIRE RANGE	PART NUMBER
.125 .115	△1	3	#20-22	1-745491-9	
.125 .115	△2	2	#22-26	1-745491-8	
.125 .115	△1	2	#22-26	1-745491-7	
.125 .115	△1	1	#26-30	1-745491-6	
.125 .115	△	2	#22-26	△1-745491-5	
OBSELETE STANDARD	.120	△6	2	#22-26	1-745491-3
OBSELETE STANDARD	.156 .146	△5	3 2	#20-22 #22-26	1-745491-2
OBSELETE STANDARD	.156 .146	△4	3 2 1	#20-22 #22-26 #26-30	745491-9 745491-8 745491-7
OBSELETE STANDARD	.125 .115	△5	3 2 1	#20-22 #22-26 #26-30	△9 745491-6 745491-5 △10 745491-4
OBSELETE STANDARD	.125 .115	△4	3 2 1	#20-22 #22-26 #26-30	745491-3 745491-2 745491-1

THIS DRAWING IS A CONTROLLED DOCUMENT.

TE Connectivity

RECEPTACLE ASSEMBLY, METAL SHELL, SIZE 1, 9 POSITION, SERIES HDE-20 FOR MASS TERMINATION

APPROVED: M. WALSLEY 11-18-04

DATE: 11-18-04

SIZE: A2 00779 C=745491

CUSTOMER DRAWING SCALE: 4:1 SHEET: 1 of 1 REV: M3

745491

A