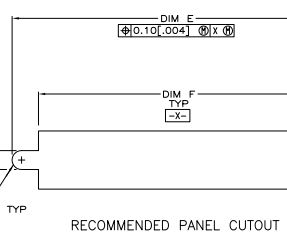
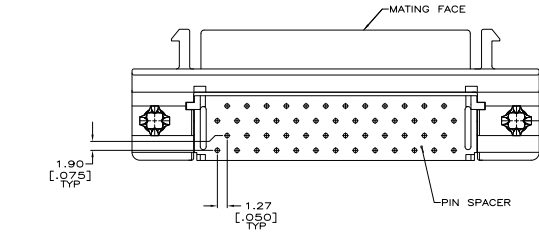
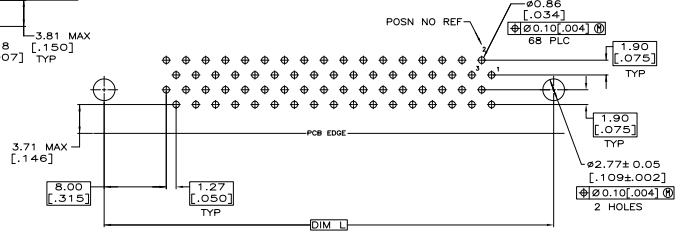
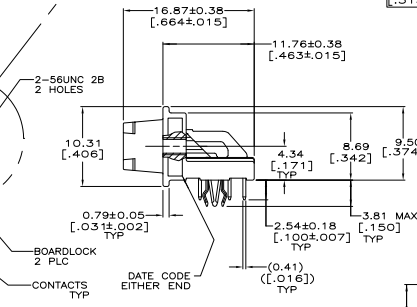
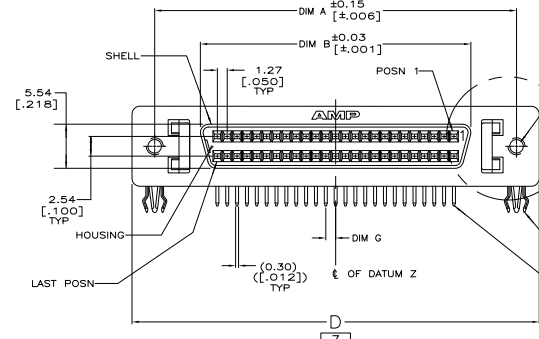
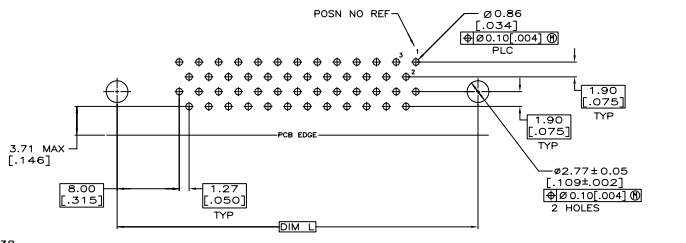
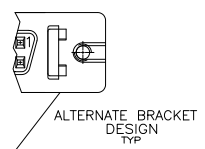
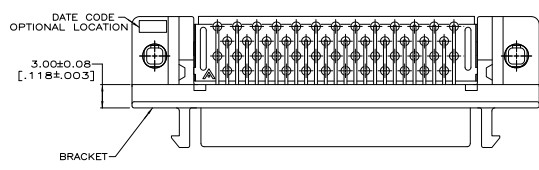


REV	GP	TR	DATE	DESCRIPTION	BY	CHK	APP
00							
B1				REVISED PER EDD-11-004835	11MMR11	RK	HMR



OBsolete	TRAY	S	46.48	1.27	42.80	48.92	52.45	34.70	46.48	50	1-5787082-5
	TUBE	T	78.23	0.64	74.55	80.67	84.20	66.45	78.23	100	5787082-9
	TUBE	T	57.91	0.64	54.23	60.35	63.88	46.13	57.91	68	5787082-7
	TUBE	S	46.48	1.27	42.80	48.92	52.45	34.70	46.48	50	5787082-5
	TUBE	T	32.51	0.64	28.83	34.95	38.48	20.73	32.51	28	5787082-3
	TUBE	S	31.24	1.27	27.56	33.68	37.21	19.46	31.24	26	5787082-2

CONTACTS: PHOSPHOR BRONZE.
 HOUSING & PIN SPACER: POLYESTER, UL 94V-0 RATED, THERMOPLASTIC, BLACK
 BRACKET: ZINC
 SHELL: CARBON STEEL
 BOARDLOCKS: COPPER ALLOY.

CONTACTS: EITHER 0.76µm [0.00030] MIN GOLD PLATE FOR A LENGTH OF 0.64 [0.25] MAX, 0.13 [0.05] MIN FROM MATING END OR GOLD FLASH OVER PALLADIUM NICKEL PLATE, 0.76µm [0.00030] MIN TOTAL FOR A LENGTH OF 0.64 [0.25] MAX, 0.13 [0.05] MIN FROM MATING END, 3.81µm [0.00150] MIN TIN ON OPPOSITE END FOR A LENGTH OF 2.72 [1.07] MIN, ALL OVER 1.27µm [0.00050] MIN NICKEL UNDERPLATE.
 SHELL: 5.08µm [0.00200] MIN NICKEL OVER 1.27µm [0.00050] MIN COPPER.
 BRACKET: 3.81µm [0.00150] MIN NICKEL OVER 5.08µm [0.00200] MIN COPPER.
 BOARDLOCKS: 5.08µm [0.00200] MIN TIN OVER 1.27µm [0.00050] MIN NICKEL.

**COPYRIGHT 2005
 TE CONNECTIVITY CORP
 ALL RIGHTS RESERVED**

THIS DRAWING IS A CONTROLLED DOCUMENT. **TE Connectivity**

APPROVED: **TE Connectivity**

RECEPTACLE ASSEMBLY, SHIELDED, RIGHT ANGLE, .050 SERIES AMPPLITE

DATE: 11-14-02
 DRAWING NO: 114-40029
 CUSTOMER DRAWING: A100779 (5787082)