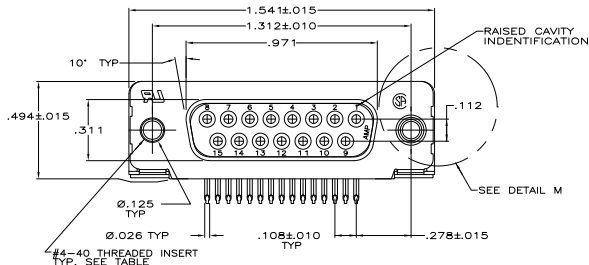
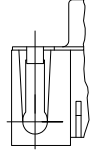
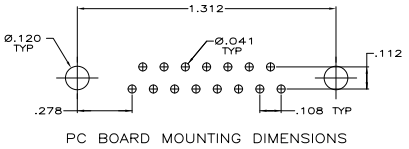
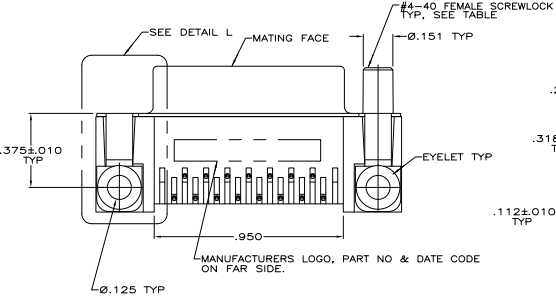


THIS DRAWING IS UNPUBLISHED  
 ALL RIGHTS RESERVED

REV	DATE	DESCRIPTION	BY	APP
00	GP			
REVISIONS				
1	11MAR11	REVISED PER EDD-11-004836	RK	HMR



- 1. CONNECTOR MATES WITH ANY 15 POSN PLUG IN AMPLITE SERIES & COMPLIES WITH AMP SPEC 108-40005 WHERE APPLICABLE.
- ⚠ MOLDED PARTS: FLAME RETARDANT 94V-0 RATED THERMOPLASTIC, BLACK.  
 SHELL: CARBON STEEL.  
 CONTACTS: PHOSPHOR BRONZE.  
 EYELETS: BRASS.  
 SCREWLOCKS: ZINC.  
 INSERTS: ZINC.
- ⚠ SHELL: TIN PLATED.  
 CONTACTS: .000030 GOLD FOR A DISTANCE OF .100 MIN FROM MATING END, TIN PLATED .000100-.000200 ON OPPOSITE END, ALL OVER .000050 NICKEL.  
 EYELETS: TIN PLATED.  
 SCREWLOCKS: CLEAR CHROMATE.  
 INSERTS: CLEAR CHROMATE.



DETAIL L  
 TYP BOTH ENDS

DETAIL M  
 FOR -6 ONLY

**COPYRIGHT 2005  
 TE CONNECTIVITY CORP  
 ALL RIGHTS RESERVED**

THIS DRAWING IS A CONTROLLED DOCUMENT.		J. FERNANDEZ 03/28/11 J. BOLASH 04/26/11 M. WILMSLEY 04/26/11		<b>TE</b> TE Connectivity	
DIMENSIONS DIMENSIONS UNLESS OTHERWISE SPECIFIED ALL DIMENSIONS IN MILLIMETERS DECIMAL DIMENSIONS TO 0.0125 MILLIMETER FRACTIONAL DIMENSIONS TO 1/16 MILLIMETER DIMENSIONS IN PARENTHESES ARE FOR INFORMATION ONLY	DRAWING NO. 108-40025 REV. 2	DATE 11-4-0010	PART NO. RCPT ASSY, SIZE 2, 15 POSN, RTANG, AMPLITE HD-20, WITH METAL SHELL, WITH OR WITHOUT SCREWLOCKS OR INSERTS	DRAWING NO. 100779	REVISED TO 6745782
CUSTOMER DRAWING		DATE: 4.1		SHEET: 1 OF 1	