

4

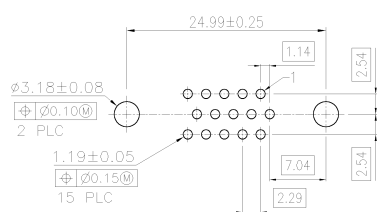
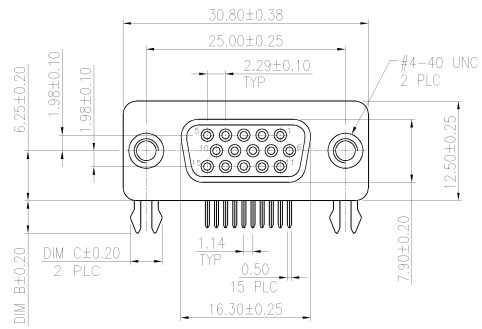
3

2

1

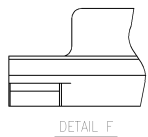
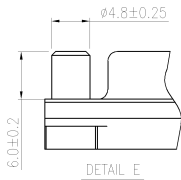
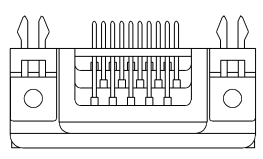
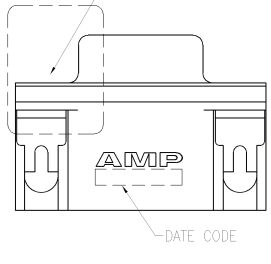
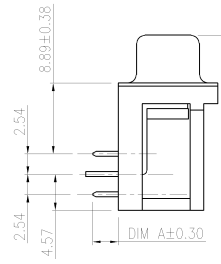
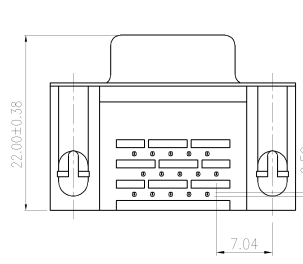
THIS DRAWING IS UNPUBLISHED. RELEASED FOR PUBLICATION  
 © COPYRIGHT - BY TYCO ELECTRONICS CORPORATION. ALL RIGHTS RESERVED.

LOC	DIST	REVISIONS				
P	LTR	DESCRIPTION	DATE	DWN	APVD	
A		REVISED ECR-06-007034	27APR06	JL	WK	
A1		REVISED ECR-07-006694	22MAR07	JL	WK	



RECOMMENDED P.C. BOARD LAYOUT

SEE TABLE FOR MOUNTING FLANGE CONFIGURATION



- NOTES:
- MATERIAL:
    - 1.1 HOUSING: THERMOPLASTIC(NY9T), UL 94V-0 RATED,BLACK
    - 1.2 CONTACTS: PHOPHOR BRONZE
    - 1.3 SHELL: SPCC
    - 1.4 BOARDLOCKS: BRASS
    - 1.5 RIVET: BRASS
    - 1.6 SCREWLOCKS: BRASS
  - FINISH:
    - 2.1 CONTACT:
      - GOLD PLATING ON CONTACT AREA. (SEE TABLE)
      - 2.54um[100u"] MIN. MATTE TIN PLATING ON SOLDER TAIL AREA, 1.27um[50u"] MIN. NICKEL UNDERPLATING OVERALL,
    - 2.2 BOARDLOCK:
      - 2.54um[100u"] MIN MATTE TIN PLATING
      - 1.27um[50u"] MIN NICKEL UNDERPLATING OVERALL,
    - 2.3 SHELL: NICKEL PLATED
    - 2.4 RIVET: NICKEL PLATING 0.76um[30u"] OVERALL.
    - 2.5 FIXED SCREWLOCK: NICKEL PLATING 0.76um[30u"] OVERALL.
  - RECOMMENDED PCB THICKNESS: 1.6 mm
  - REFLOW SOLDER CAPABLE TO 260°C
  - PER TYCO SPEC. 109-201, CONDITION B.
  - NET WEIGHT: 10.24 g/pcs. (WITH SCREWLOCK) 8.24 g/pcs. (W/O SCREWLOCK)
  - BOARDLOCK INSERTION FORCE: 1.5±0.5 Kgf [15±5 N]. FOR 5-1734530-3 & 6-1734530-3 ONLY.

TAPE&REEL	DETAIL F	W/	3.78	3.20	3.18	30 μ"	6-1734530-3
TAPE&REEL	DETAIL E	W/	3.78	3.20	3.18	30 μ"	5-1734530-3
TRAY	DETAIL F	W/O	4.00	4.10	3.18	30 μ"	3-1734530-3
TUBE	DETAIL F	W/	4.00	4.10	3.18	30 μ"	2-1734530-3
TUBE	DETAIL F	W/	4.00	4.10	3.18	15 μ"	2-1734530-2
TUBE	DETAIL F	W/	4.00	4.10	3.18	G/F	2-1734530-1
TRAY	DETAIL F	W/	4.00	4.10	2.16	30 μ"	1-1734530-6
TRAY	DETAIL F	W/	4.00	4.10	2.16	15 μ"	1-1734530-5
TRAY	DETAIL F	W/	4.00	4.10	2.16	G/F	1-1734530-4
TRAY	DETAIL F	W/	4.00	4.10	3.18	30 μ"	1-1734530-3
TRAY	DETAIL F	W/	4.00	4.10	3.18	15 μ"	1-1734530-2
TRAY	DETAIL F	W/	4.00	4.10	3.18	G/F	1-1734530-1
TRAY	DETAIL E	W/	4.00	4.10	2.16	30 μ"	1734530-6
TRAY	DETAIL E	W/	4.00	4.10	2.16	15 μ"	1734530-5
TRAY	DETAIL E	W/	4.00	4.10	2.16	G/F	1734530-4
TRAY	DETAIL E	W/	4.00	4.10	3.18	30 μ"	1734530-3
TRAY	DETAIL E	W/	4.00	4.10	3.18	15 μ"	1734530-2
TRAY	DETAIL E	W/	4.00	4.10	3.18	G/F	1734530-1

THIS DRAWING IS A CONTROLLED DOCUMENT.

DWN: J. LEE, 22MAR2007  
 CHK: S. HOU, 22MAR2007  
 APVD: W.J. KE, 22MAR2007

PRODUCT SPEC: 108-57541  
 QUALIFICATION TEST REPORT: 501-57623  
 WEIGHT: SEE NOTE

MATERIAL: SEE NOTE  
 FINISH: SEE NOTE

TYCO Electronics  
 Tyco Holdings (Bermuda)  
 VII Ltd. Taiwan Branch

RECEPTACLE ASSY, SIZE 1, 15 POSITION, RIGHT ANGLE, THROUGH HOLE

SIZE: A3, CAGE CODE: 00779, DRAWING NO: 1734530, RESTRICTED TO: A1

CUSTOMER DRAWING, SCALE: 1 OF 4, SHEET: 1 OF 4, REV: A1

4

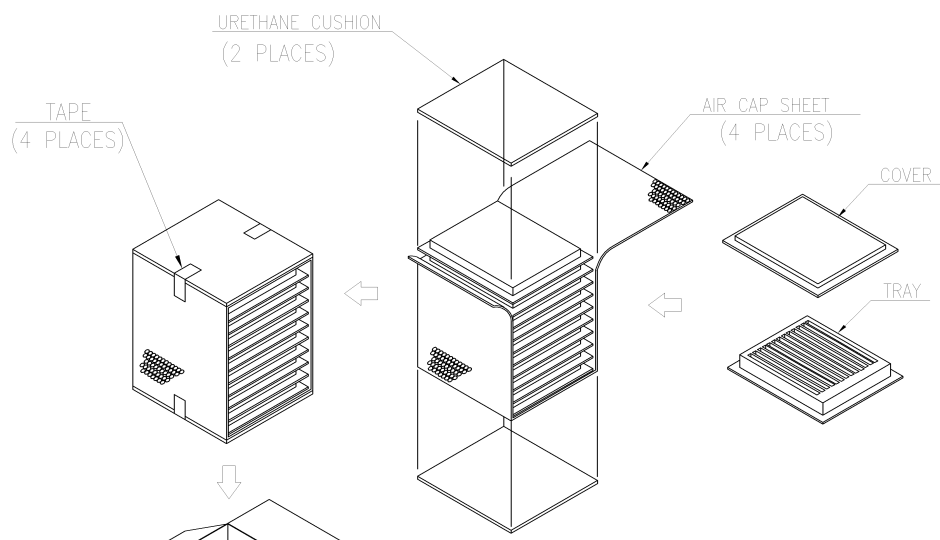
3

2

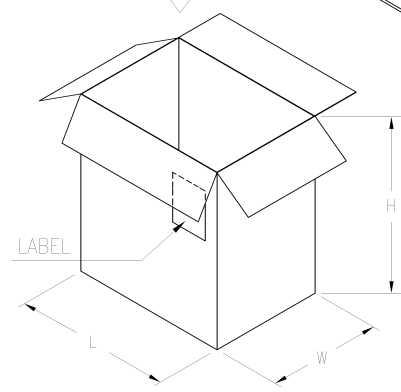
1

THIS DRAWING IS UNPUBLISHED. RELEASED FOR PUBLICATION  
 © COPYRIGHT - BY TYCO ELECTRONICS CORPORATION. ALL RIGHTS RESERVED.

LOC	DIST	REVISIONS			
P	LTR	DESCRIPTION	DATE	DWN	APVD
DW	-	SEE SHEET 1.			



- NOTES:
- MATERIAL:
    - 1.1 TRAY: PVC
    - 1.2 SHIPPING CARTON: CORRUGATED FIBERBOARD
  - DIMENSION:
    - 2.1 TRAY: L=320, W=230, H=18.9
    - 2.2 SHIPPING CARTON: L=361, W=245, H=272
  - QUANTITY:
    - 3.1 PRIMARY PACKING: 100 PCS/TRAY
    - 3.2 SECONDARY PACKING: 10 TRAY/CARTON(1000PCS)
  - CARTON WEIGHT:
    - 4.1 NET WEIGHT: 10.24 Kg (W/SCREWLOCK)
    - 4.2 GROSS WEIGHT: 11.24 Kg (W/SCREWLOCK)
    - 4.3 NET WEIGHT: 8.24 Kg (W/O SCREWLOCK)
    - 4.4 GROSS WEIGHT: 9.24 Kg (W/O SCREWLOCK)



THIS DRAWING IS A CONTROLLED DOCUMENT.		DWN J. LEE 22MAR2007	<b>tyco</b> Electronics	Tyco Holdings (Bermuda) VII Ltd. Taiwan Branch	
DIMENSIONS: MM		CHK S. HOU 22MAR2007		NAME	RECEPTACLE ASSY, SIZE 1, 15 POSITION, RIGHT ANGLE, THROUGH HOLE
TOLERANCES UNLESS OTHERWISE SPECIFIED:		APVD W.J. KE 22MAR2007	PRODUCT SPEC	SIZE	RESTRICTED TO
0 PLC ± -		APPLICATION SPEC	WEIGHT	CAGE CODE	DRAWING NO
1 PLC ± -		MATERIAL	FINISH	A3	00779
2 PLC ± -		CUSTOMER DRAWING		C	1734530
3 PLC ± -		SCALE		SHEET	
4 PLC ± -		CUSTOMER DRAWING		2 of 4	
ANGLES ± -		SCALE		REV	
		CUSTOMER DRAWING		A1	

4

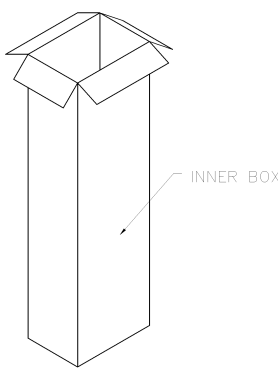
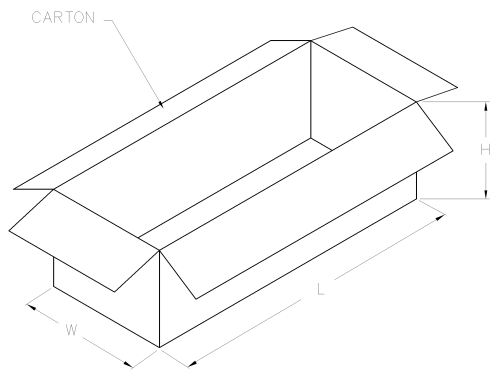
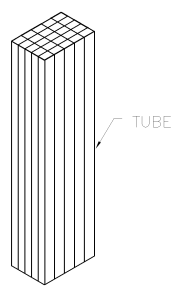
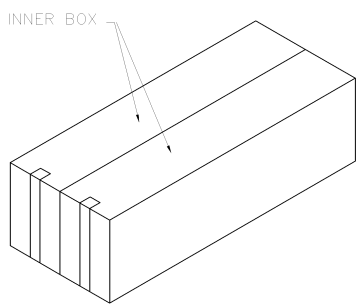
3

2

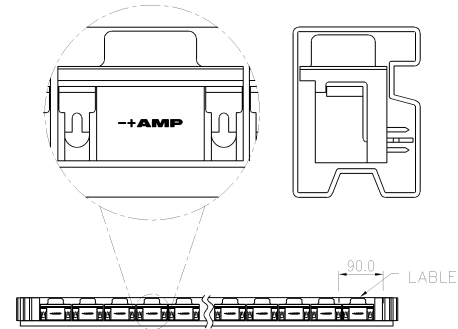
1

THIS DRAWING IS UNPUBLISHED. RELEASED FOR PUBLICATION  
 © COPYRIGHT - BY TYCO ELECTRONICS CORPORATION. ALL RIGHTS RESERVED.

LOC	DIST	REVISIONS			
P	LTR	DESCRIPTION	DATE	DWN	APVD
		SEE SHEET 1.			



- NOTES:
- MATERIAL:
    - TUBE: PVC
    - SHIPPING CARTON: CORRUGATED FIBERBOARD
  - DIMENSION:
    - TUBE: L=560, W=17.8, H=27.4
    - SHIPPING CARTON: L=600, W=245, H=195
  - QUANTITY:
    - PRIMARY PACKING: 17 PCS/TUBE
    - SECONDARY PACKING: 25 TUBE/BOX
    - THIRD PACKING: 2 BOX/CARTON(850PCS)
  - CARTON WEIGHT:
    - NET WEIGHT: 8.7 Kg (W/O SCREWLOCK)
    - GROSS WEIGHT: 9.7 Kg (W/O SCREWLOCK)



THIS DRAWING IS A CONTROLLED DOCUMENT.		DWN J. LEE 22MAR2007	<b>tyco</b> Electronics	Tyco Holdings (Bermuda) VII Ltd. Taiwan Branch	
DIMENSIONS: MM		CHK S. HOU 22MAR2007		NAME RECEPTACLE ASSY, SIZE 1, 15 POSITION, RIGHT ANGLE, THROUGH HOLE	
TOLERANCES UNLESS OTHERWISE SPECIFIED:		APVD W.J. KE 22MAR2007	PRODUCT SPEC		
0 PLC ± -		APPLICATION SPEC			
1 PLC ± -		WEIGHT			
2 PLC ± -		SIZE A3			
3 PLC ± -		CAGE CODE 00779			
4 PLC ± -		DRAWING NO C-1734530			
ANGLES ± -		RESTRICTED TO			
MATERIAL		FINISH		CUSTOMER - DRAWING	
			SCALE	SHEET	REV
			—	3 of 4	A1

AMP 1470-19 REV 31MAR2000

4

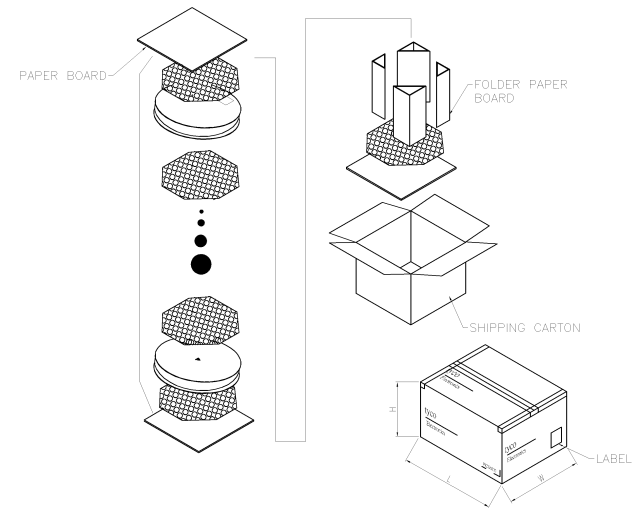
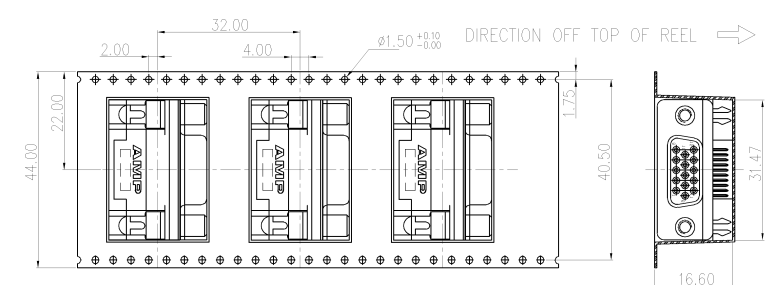
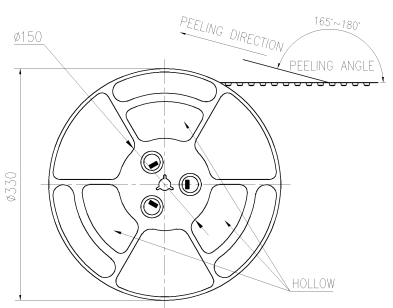
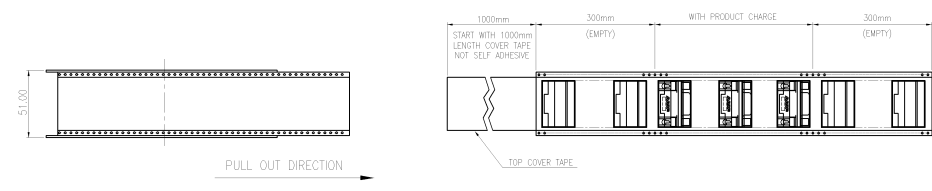
3

2

1

THIS DRAWING IS UNPUBLISHED. RELEASED FOR PUBLICATION  
 © COPYRIGHT - BY TYCO ELECTRONICS CORPORATION. ALL RIGHTS RESERVED.

LOC	DIST	REVISIONS					
DW	-	P	LTR	DESCRIPTION	DATE	DWN	APVD
		SEE SHEET 1.					



PRODUCT TYPE	PCS/REEL	REEL/CARTON	TOTAL(PCS)	CTN SIZE (CM)	NW(Kg)	GW(Kg)
D-SUB H/D 15P	100	6	600	360X360X350	5.4	5.9

THIS DRAWING IS A CONTROLLED DOCUMENT.

DWN	J. LEE	22MAR2007		Tyco Holdings (Bermuda)
CHK	S. HOU	22MAR2007		VII Ltd. Taiwan Branch
APVD	W.J. KE	22MAR2007		NAME
DIMENSIONS: MM TOLERANCES UNLESS OTHERWISE SPECIFIED: 0 PLC ± - 1 PLC ± - 2 PLC ± - 3 PLC ± - 4 PLC ± - ANGLES ± - MATERIAL FINISH				PRODUCT SPEC APPLICATION SPEC WEIGHT CUSTOMER DRAWING
SIZE CAGE CODE DRAWING NO A3 00779 C-1734530			RESTRICTED TO	
SCALE			SHEET	REV
4 of 4			A1	

AMP 1470-19 REV 31MAR2000