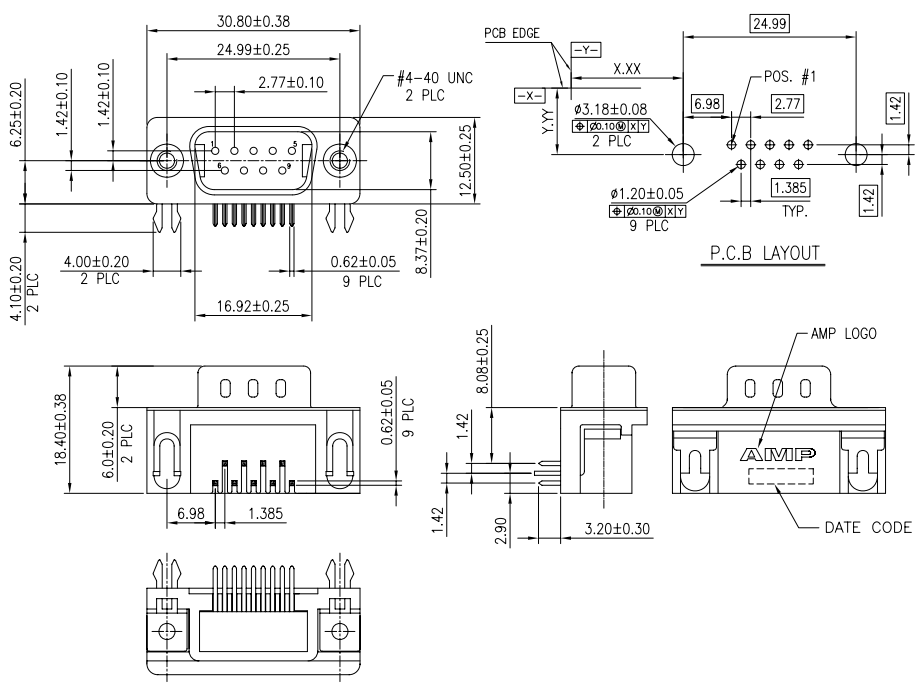


THIS DRAWING IS UNPUBLISHED. RELEASED FOR PUBLICATION AUG. 2006.  
 © COPYRIGHT - BY TYCO ELECTRONICS CORPORATION. ALL RIGHTS RESERVED.

LOC		DIST		REVISIONS			
P	LTR	DESCRIPTION	DATE	DWN	APVD		
	A	REVISED (ECR-08-024310)	14NOV08	B.W	S.C		



- NOTES:
- MATERIAL :
    - HOUSING: THERMOPLASTIC, UL 94V-0 RATED, BLACK
    - CONTACTS: BRASS
    - SHELL: SPOC
    - BOARDLOCKS: BRASS
    - RIVET: COPPER ALLOY
  - FINISH:
    - CONTACT: GOLD PLATING ON CONTACT AREA. (SEE TABLE) 100u" MIN. MATTE TIN PLATING ON SOLDER TAIL AREA, 50u" MIN. NICKEL UNDERPLATING OVERALL.
    - BOARDLOCK: 100u" MIN MATTE TIN PLATING 50u" MIN NICKEL UNDERPLATING OVERALL.
    - SHELL: NICKEL PLATED
    - RIVET: NICKEL PLATING OVERALL
  - RECOMMENDED PCB THICKNESS: 1.6 MM
  - WAVE SOLDER CAPABLE TO 265°C PER TE SPEC. 109-202, CONDITION B.
  - NET WEIGHT: 7.03 gram/pc
  - DATE CODE: YYWW
  - THE SCREW TORQUE FORCE APPLIED: 7.0 kgf-cm MIN. (OR 6.0 lb-in MIN.)

OBsolete	TUBE	10u"	1734352-4
	TRAY	10u"	1734352-3
	TRAY	15u"	1734352-2
	TRAY	GOLD FLASH	1734352-1
	PACKAGING	CONTACT FINISH MIN.	PART NO.

THIS DRAWING IS A CONTROLLED DOCUMENT.		DWN J. LEE 24OCT2005	Tyco Electronics Corporation Taipei, Taiwan	
DIMENSIONS: MM		CHK S. HOU 24OCT2005	NAME PLUG ASSEMBLY, 9 POSN, RIGHT ANGLE, 8.08mm[0.318in]	
TOLERANCES UNLESS OTHERWISE SPECIFIED: 0 PLC ± 0.5 1 PLC ± 0.3 2 PLC ± 0.2 3 PLC ± 0.15 4 PLC ± - ± .3		APVD W. J. KE 24OCT2005	QUALIFICATION TEST REPORT 108-57541	
MATERIAL SEE NOTE		FINISH SEE NOTE	SIZE A3	CAGE CODE 00779
		WEIGHT SEE NOTE	DRAWING NO C=1734352	RESTRICTED TO -
		CUSTOMER DRAWING	SCALE -	SHEET 1 of 3

4

3

2

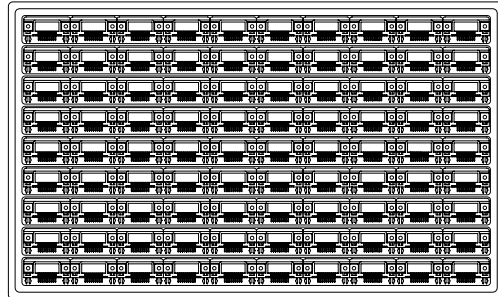
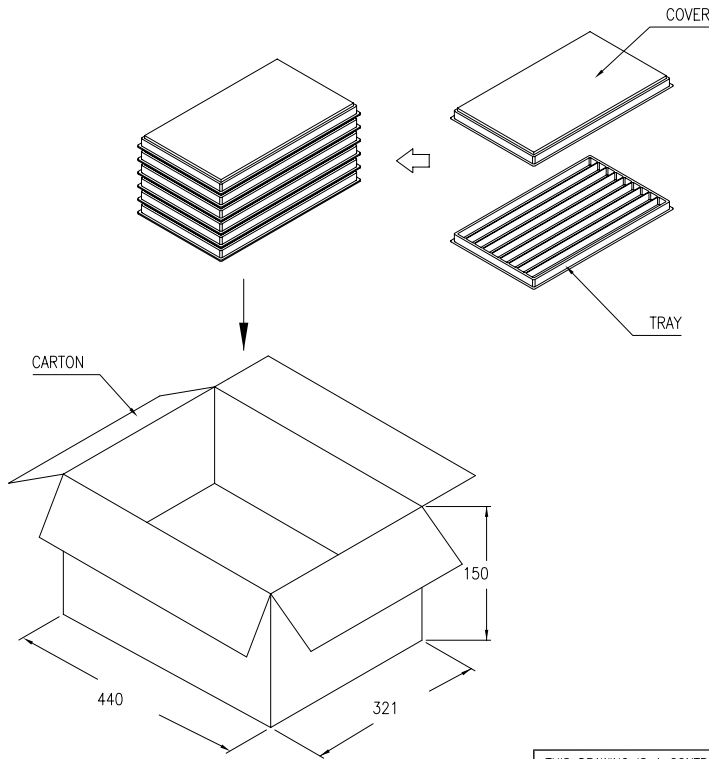
1

THIS DRAWING IS UNPUBLISHED. RELEASED FOR PUBLICATION AUG. 2006.  
 © COPYRIGHT BY TYCO ELECTRONICS CORPORATION. ALL RIGHTS RESERVED.

LOC	DIST	REVISIONS			
P	LTR	DESCRIPTION	DATE	DWN	APVD
		SEE SHEET 1.			

NOTES:

- MATERIAL:
  - 1.1 TRAY: PVC
  - 1.2 SHIPPING CARTON: CORRUGATED FIBERBOARD
- DIMENSION:
  - 2.1 TRAY: L=340, W=228, H=17.4
  - 2.2 SHIPPING CARTON: L=440, W=321, H=150
- QUANTITY:
  - 3.1 PRIMARY PACKING: 90 PCS/TRAY
  - 3.2 SECONDARY PACKING: 11 TRAY/CARTON (990PCS)
- CARTON WEIGHT:
  - 4.1 NET WEIGHT: 6.96 KG
  - 4.2 GROSS WEIGHT: 7.96 KG



THIS DRAWING IS A CONTROLLED DOCUMENT.		DWN	Tyco Electronics Corporation Taipei, Taiwan	
DIMENSIONS: MM		CHK	NAME	
TOLERANCES UNLESS OTHERWISE SPECIFIED: 0 PLC ± -- 1 PLC ± -- 2 PLC ± -- 3 PLC ± -- 4 R/C ± -- ANGLES ± --		APVD	PLUG ASSEMBLY, 9 POSN, RIGHT ANGLE, 8.08mm[0.318in]	
MATERIAL		PRODUCT SPEC	SIZE	RESTRICTED TO
FINISH		APPLICATION SPEC	CAGE CODE	—
		WEIGHT	DRAWING NO	—
		A3 00779 C=1734352		—
		CUSTOMER DRAWING		SCALE
				SHEET 2 of 3
				REV A

4

3

2

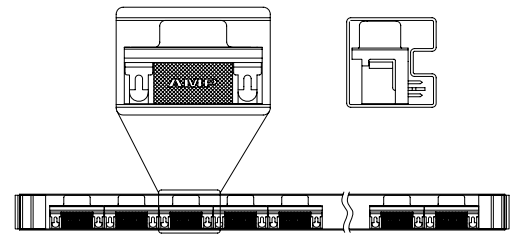
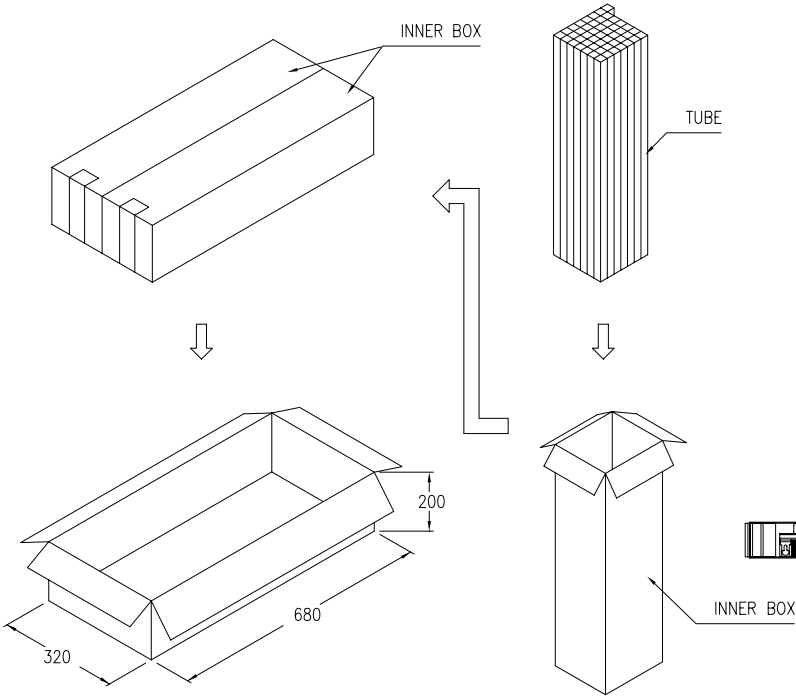
1

THIS DRAWING IS UNPUBLISHED. RELEASED FOR PUBLICATION AUG. 2006.  
 © COPYRIGHT BY TYCO ELECTRONICS CORPORATION. ALL RIGHTS RESERVED.

LOC		DIST		REVISIONS			
P	LTR	DESCRIPTION	DATE	DWN	APVD		
		SEE SHEET 1.					

NOTES:

- MATERIAL:
  - TUBE: PVC
  - SHIPPING CARTON: CORRUGATED FIBERBOARD
- DIMENSION:
  - TUBE: L=650, W=18.8, H=18.6
  - SHIPPING CARTON: L=680, W=320, H=200
- QUANTITY:
  - PRIMARY PACKING: 20 PCS/TUBE
  - SECONDARY PACKING: 50 TUBE/BOX
  - THIRD PACKING: 2 BOX/CARTON (2,000PCS)
- CARTON WEIGHT:
  - NET WEIGHT: 17.0 KG
  - GROSS WEIGHT: 18.0 KG



THIS DRAWING IS A CONTROLLED DOCUMENT.		DWN	Tyco Electronics Corporation Taipei, Taiwan	
DIMENSIONS: MM		CHK	NAME	
TOLERANCES UNLESS OTHERWISE SPECIFIED: 0 PLC ±-- 1 PLC ±-- 2 PLC ±-- 3 PLC ±-- 4 PLC ±-- ANGLES ±--		APVD	PLUG ASSEMBLY, 9 POSN, RIGHT ANGLE, 8.08mm[0.318in]	
MATERIAL		PRODUCT SPEC	SIZE	RESTRICTED TO
FINISH		APPLICATION SPEC	CAGE CODE	DRAWING NO
		WEIGHT	A3 00779	C=1734352
		CUSTOMER DRAWING	SCALE	SHEET 3 of 3 REV A