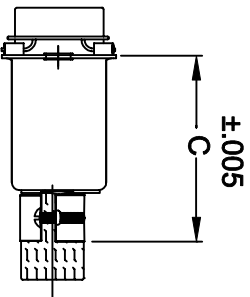
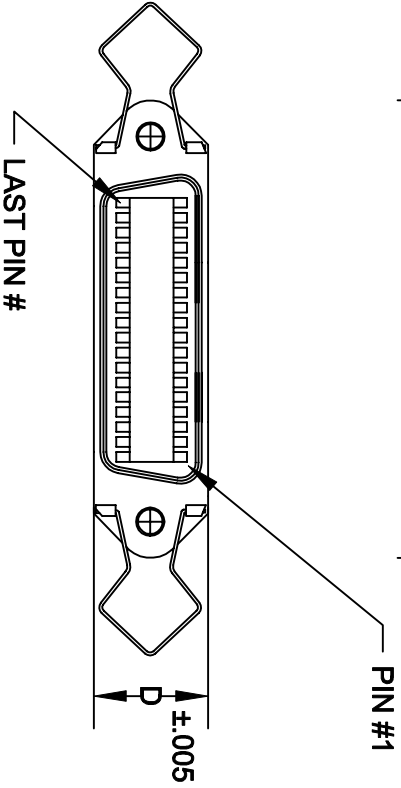
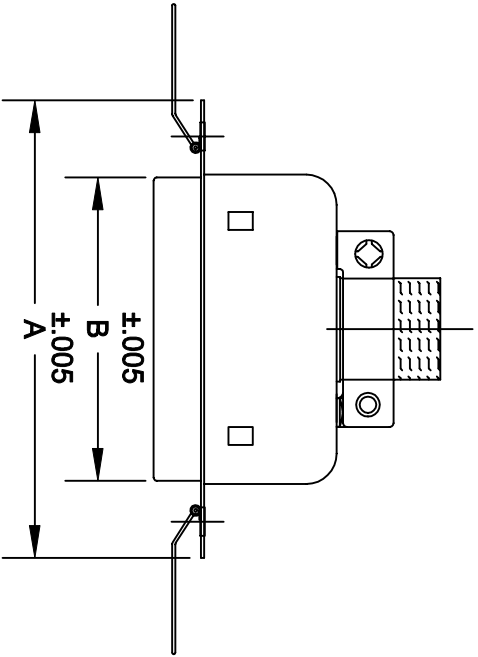


DESCRIPTION: FEMALE CENTRONICS BACKSHELL KIT



	A	B	C	D
014	1.729	.992	1.252	.622
014	43.92	25.20	31.79	15.80
024	2.167	1.417	1.225	.622
024	55.05	36.00	31.11	15.80
036	2.665	1.925	1.295	.622
036	67.80	48.90	32.90	15.80
050	3.260	2.520	1.407	.622
050	82.80	64.00	35.75	15.80

110-XXX-193-001

SERIES \_\_\_\_\_  
 POSITIONS \_\_\_\_\_  
 014 \_\_\_\_\_  
 024 \_\_\_\_\_  
 036 \_\_\_\_\_  
 050 \_\_\_\_\_

GENDER \_\_\_\_\_  
 1 = MALE  
 2 = FEMALE

TERMINATION \_\_\_\_\_  
 9 = IDC

SHELL PLATING \_\_\_\_\_  
 3 = NICKEL

HARDWARE OPTIONS \_\_\_\_\_  
 00 = NO HARDWARE

PLATING OPTIONS \_\_\_\_\_  
 01 = GOLD FLASH

**MATERIALS:**

INSULATOR: GLASS-FILLED THERMOPLASTIC

UL RATED 94V-0

CONTACTS: COPPER ALLOY

ELECTRICALS:

CONTACT CURRENT RATING: 5 AMPS

DIELECTRIC WITHSTANDING VOLTAGE: AC 1200 R.M.S.

INSULATION RESISTANCE: 1000 mohms MINIMUM AT 500V DC

CONTACT RESISTANCE: 30 mOHMS MAXIMUM

OPERATING TEMPERATURE: -55°C TO +125°C



THESE DRAWINGS AND SPECIFICATIONS ARE THE PROPERTY OF NorComp AND SHALL NOT BE REPRODUCED, COPIED OR USED AS THE BASIS FOR THE MANUFACTURE OF SALE OF APPARATUS WITHOUT WRITTEN PERMISSION.

DRAWN: WAYNE ROBBINS

DATE: 9-17-98

CHECKED:

DATE:

SCALE: 1:1 SHEET 1 OF 1

REV 2

NorComp

DWG NO. 110-XXX-293-001