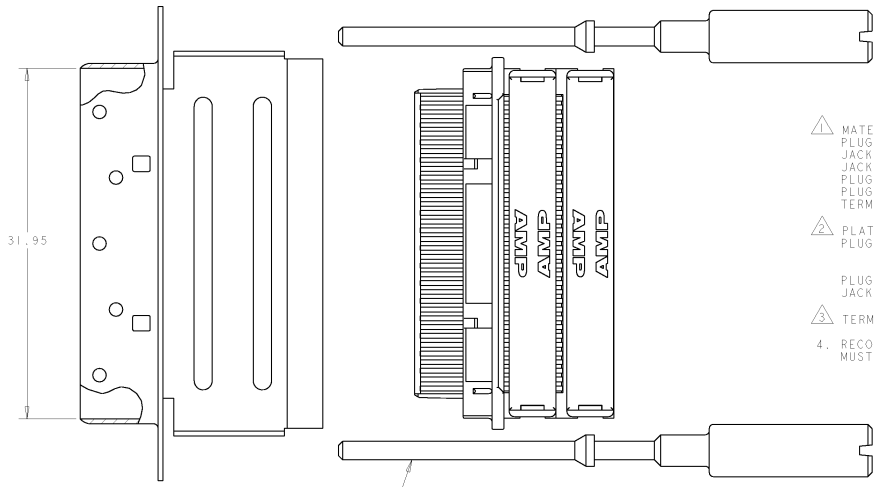


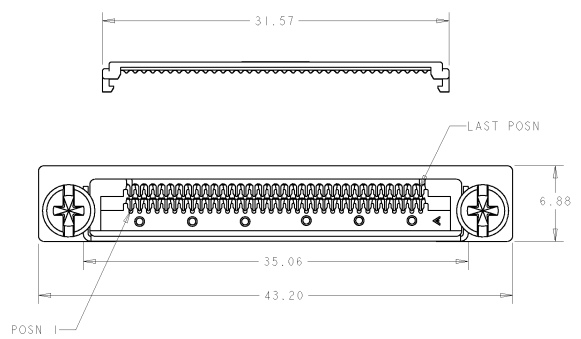
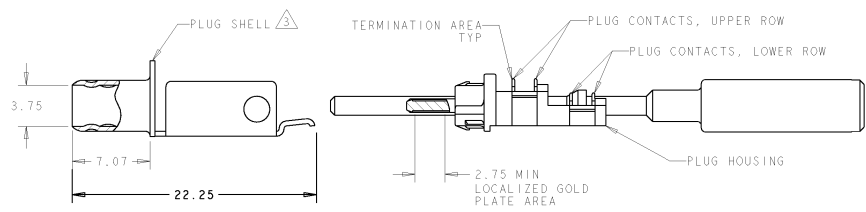
REV. NO.		REVISIONS			
REV.	DATE	DESCRIPTION	DATE	BY	APP'D.
B		REVISED PER EC 0513-0192-02	23A0902	JG	CF



- △ MATERIAL:  
 PLUG CONTACTS - PHOSPHOR BRONZE.  
 JACKSCREWS - STAINLESS STEEL.  
 JACKSCREW HEADS - POLYESTER, PBT, BLACK.  
 PLUG SHELL - CARBON STEEL.  
 PLUG HOUSING - LCP, NATURAL, RATED UL 94V-0.  
 TERMINATION COVERS - LCP, BLACK, RATED UL 94V-0.
- △ PLATING:  
 PLUG CONTACTS - 0.76µm MINIMUM GOLD PLATE IN LOCALIZED GOLD PLATE AREA, 1.27µm MINIMUM TIN-LEAD PLATE IN TERMINATION AREA, ALL OVER 1.27µm MINIMUM NICKEL.  
 PLUG SHELL - 5.08µm MINIMUM NICKEL OVER 1.27µm MINIMUM COPPER.  
 JACKSCREWS - PASSIVATED PER ASTM A 380.
- △ TERMINATION COVERS AND PLUG SHELL ARE PACKAGED UNASSEMBLED.
- 4. RECOMMENDED WIRE: 30 AWG WITH A 0.56-0.64 INSULATION DIAMETER, WIRE MUST BE APPROVED BY AMP ENGINEERING.

JACKSCREW, QTY: 2

TERMINATION COVER △



787801-1  
PART NUMBER

DIMENSIONS: mm		DIMENSIONS, ANGLES, AND FINISHES: UNLESS OTHERWISE SPECIFIED:		DWG: S. WELDON CHK: M. RUPERT APP'D: M. RUPERT DATE: 6-JUN-96 DATE: 6-SEP-96 DATE: 10-SEP-96	tyco Electronics Tyco Electronics Harrisburg, PA 17105-3608
D PLC H PLC W PLC R PLC R PLC FINISH	± ± ±0.13 ± ± △	APPLICATION SPEC: 108-1471	WEIGHT: -	SIZE: A2 CASE CODE: 00779 DRAWING NO: 787801	RESTRICTED TO: -
MATERIAL: △				CUSTOMER DRAWING	SCALE: 4:1 SHEET: 1 OF 1 REV: B