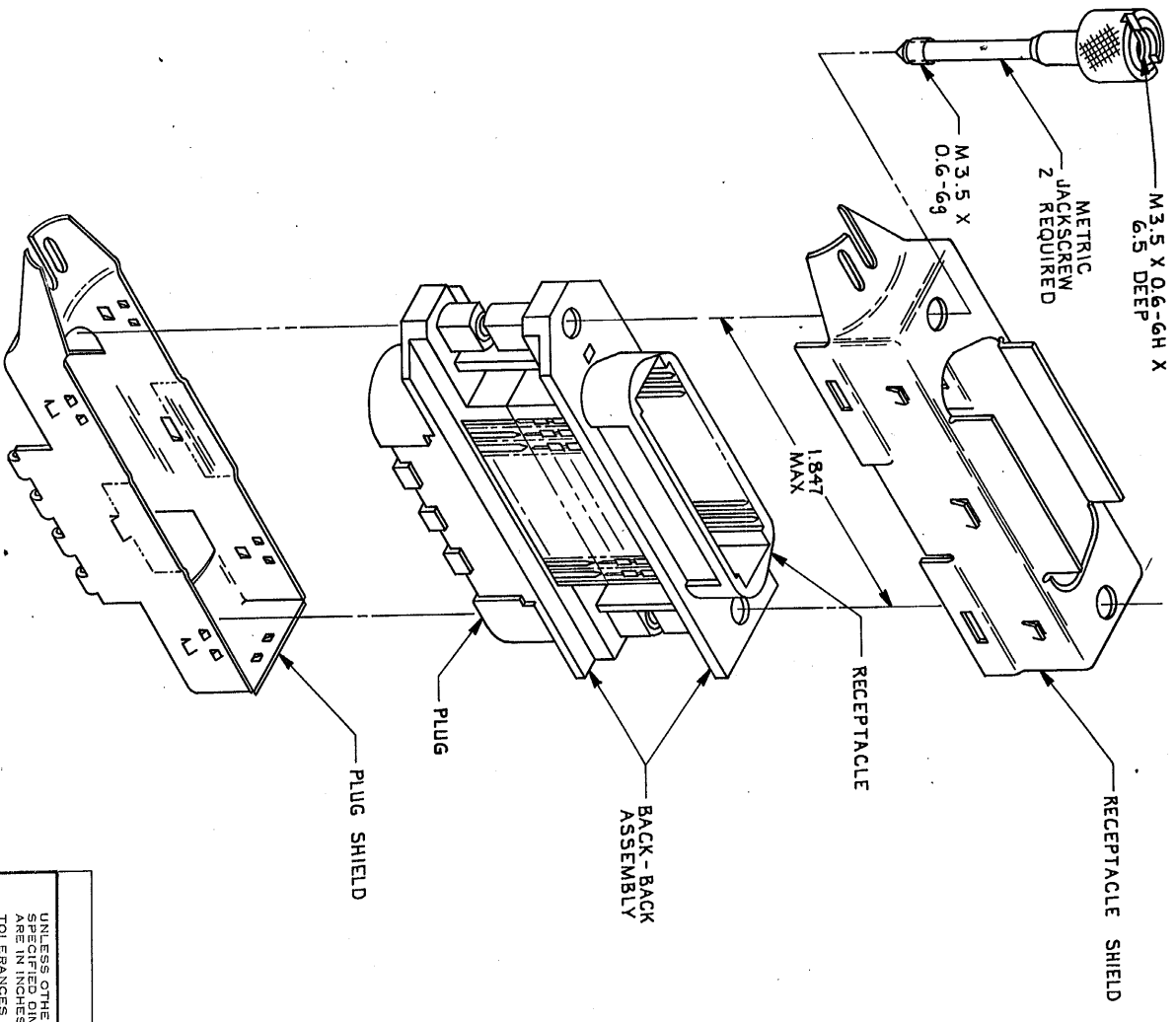


DRAWING MADE IN THIRD ANGLE PROJECTION

THIS DRAWING IS UNPUBLISHED. RELEASED FOR PUBLICATION

© COPYRIGHT 1987 BY AMP INCORPORATED, HARRISBURG, PA. ALL INTERNATIONAL RIGHTS RESERVED. AMP PRODUCTS MAY BE COVERED BY U.S. AND FOREIGN PATENTS AND/OR PATENTS PENDING.



| REV | DATE | DESCRIPTION | APPROVED |
|-----|---------|--------------------|----------|
| 1 | 3-19-87 | RLSD ; NPI C 87-17 | AA |

- △ MATERIAL: HOUSINGS - POLYPHENYLENE OXIDE, BLACK. SHIELDS - CARBON STEEL. JACKSCREWS - CARBON STEEL. TERMINALS - HIGH STRENGTH COPPER ALLOY.
- △ FINISH: SHIELDS - BRIGHT NICKEL PLATE. TERMINALS - SELECTIVE GOLD PLATE. JACKSCREWS - BLACK OXIDE COATING.
- 3. THIS KIT SHIPPED NOT ASSEMBLED.
- 4. CENTER-TO-CENTER SPACING OF TERMINALS IS .085 NOMINAL.
- 5. WIRE SIZE: 26-27-28 AWG 7 STRANDS OF COPPER CONDUCTORS, MAXIMUM INSULATION DIAMETER OF .045 IS ACCEPTABLE FOR MOST APPLICATIONS.
- 6. CABLE RANGE: .300 - .450 DIAMETER.
- △ COMPONENTS BULK PACKAGED 500 PER CONTAINER.
- △ ONE KIT PER POLY BAG.

| | | | |
|---|--|----------------------|--|
| UNLESS OTHERWISE SPECIFIED DIMENSIONS ARE IN INCHES. TOLERANCES ON: DECIMALS ± ANGLES ° | | CONTRACT NO. 3-19-87 | |
| MATERIAL | | DR. S. Addition | 3-19-87 |
| FINISH | | CHK. [Signature] | 3-23-87 |
| APPROVED | | DESIGN APPROVED | DATE APPROVED 3/24/87 |
| OTHER APPROVED | | SCALE 2:1 | |
| AMP INCORPORATED Harrisburg, Pa. 17105 | | NAME | BACK - BACK KIT, 24 POSITION, W/SHIELDS & JACKSCREW, CHAMP |
| PART NO. 555182-1 | | SIZE | C |
| 555182-1 | | FSCM NO. | 00779 |
| 555182-1 | | DRAWING NO. | 555182 |
| 555182-1 | | SHEET | 1 OF 1 |

555182

CUSTOMER DRAWING