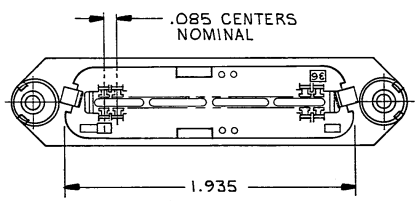
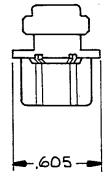
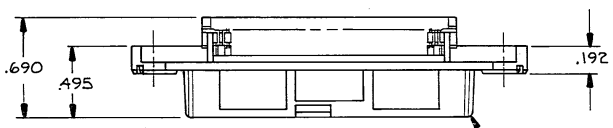
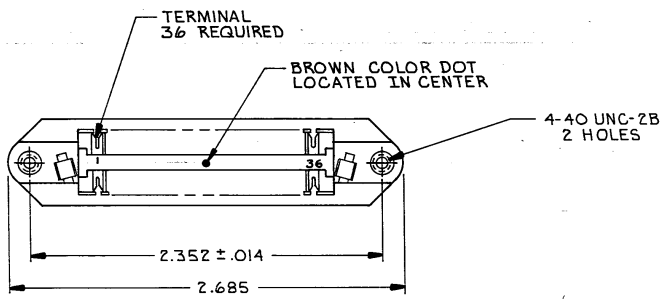


DRAWING MADE IN THIRD ANGLE PROJECTION

THIS DRAWING IS UNPUBLISHED. RELEASED FOR PUBLICATION  
 © COPYRIGHT 1987 BY AMP INCORPORATED, HARRISBURG, PA. ALL INTERNATIONAL RIGHTS RESERVED. AMP PRODUCTS MAY BE COVERED BY U.S. AND FOREIGN PATENTS AND/OR PATENTS PENDING.

REVISIONS		DATE	APPROVED
P	F	ZONE	LTR
~	C	OBSELETE--1; ECN AA-7041	4-7-91 LHS AH

LOC DIST  
AA 20



RECEPTACLE HOUSING

1. THE CONTACT SURFACES OF THE TERMINALS ARE COATED WITH LUBRICANT.
2. ALL DIMENSIONS SHOWN ARE MAXIMUM UNLESS OTHERWISE SPECIFIED.
3. MATERIAL: HOUSING-POLYPHENYLENE, BLACK. TERMINALS - GOLD OVER NICKEL PLATED HIGH STRENGTH COPPER ALLOY.
4. WIRE SIZE: 22 AWG SOLID OR STRANDED COPPER CONDUCTORS. INSULATION DIAMETER OF .045-.056 IS ACCEPTABLE FOR MOST APPLICATIONS.
5. 100 ASSEMBLIES BULK PACKAGED IN A NON STATIC GENERATING PACKAGING MATERIAL.
6. SEE PRODUCT SPECIFICATION 108-6005 FOR PERFORMANCE SPECIFICATIONS.

PACKAGED	5-555037-1
	PART NO

UNLESS OTHERWISE SPECIFIED DIMENSIONS ARE IN INCHES. TOLERANCES ON: DECIMALS ± ANGLES —	CONTRACT NO	AMP INCORPORATED Harrisburg, Pa. 17105		
	DR	NAME		
	CHK	RECEPTACLE ASSEMBLY, 36 POSITION, F SLOT, CHAMP-LOK®		
	APPD	SIZE	FSCM NO	DRAWING NO
MATERIAL	APPD	C	00779	555037
FINISH	OTHER APPD	SCALE 2:1		SHEET 1 OF 1

CUSTOMER DRAWING

WAS 86-1210-72-1 4:15/1

555037

A

A

AMP 1471-7