

DRAWING MADE IN THIRD ANGLE PROJECTION

© COPYRIGHT 19 BY AMP INCORPORATED, HARRISBURG, PA.
ALL INTERNATIONAL RIGHTS RESERVED. AMP INCORPORATED PRODUCTS
COVERED BY U. S. AND FOREIGN PATENTS AND/OR PATENTS PENDING.

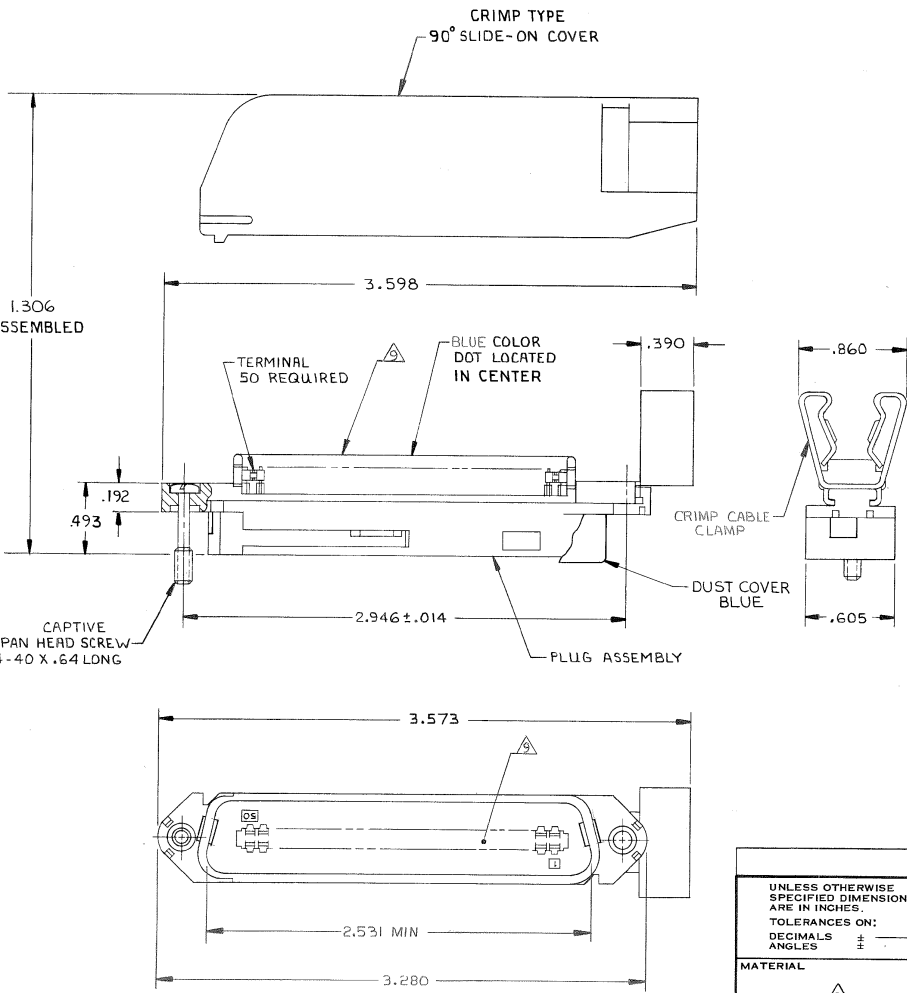
3

2

1

LOC DIST
AA 20

REVISIONS					
P	F	ZONE	DESCRIPTION	DATE	APPROVED
J			OBSELETE -1; ECN AA-5942	11-3-80	TE
K			REV; EC QUIC-0040-01	3-19-81	DD EB



1. THE CONTACT SURFACES OF THE TERMINALS ARE COATED WITH LUBRICANT.
 2. MATERIAL: HOUSING & SLIDE-ON COVER-POLYPHENYLENE. CABLE CLAMP & SCREW-ZINC PLATED STEEL. TERMINAL-GOLD OVER NICKEL PLATED HIGH STRENGTH COPPER ALLOY. DUST COVER-POLYETHYLENE.
 3. WIRE SIZE: 24 & 26 AWG SOLID OR 24 AWG 7 STRANDS OF COPPER CONDUCTORS. MAX INSULATION DIAMETER OF .045 IS ACCEPTABLE FOR MOST APPLICATIONS.
 4. CENTER-TO-CENTER SPACING OF TERMINALS IS .085 NOMINAL.
 5. CABLE CLAMP & SCREW ARE ASSEMBLED TO CONNECTOR BEFORE SHIPMENT.
 6. ALL DIMENSIONS ARE MAXIMUM UNLESS OTHERWISE SPECIFIED.
 7. 90° COVER SHIPPED UNASSEMBLED WITH CABLE CLAMP UNCRIMPED.
 8. KIT SHIPPED BULK PACKAGED.
- △ CAGING MAY OR MAY NOT APPEAR AND IS AT THE DISCRETION OF AMP INCORPORATED.

YES	GRAY	553213-3
DUST COVER	COLOR	PART NO

UNLESS OTHERWISE SPECIFIED DIMENSIONS ARE IN INCHES. TOLERANCES ON: DECIMALS ± ANGLES	CONTRACT NO	AMP AMP INCORPORATED Harrisburg, Pa.	
	DR <i>B. Bowman</i> 7-29-80	NAME	
	CHK <i>MD</i> 7-31-80	PLUG KIT, 50 POSITION, B SLOT, CRIMP TYPE, SCREW & 90° COVER, CHAMP-LOK	
	MATERIAL	APPD <i>B.G. Donnelly</i> 7/31/80	SIZE
FINISH	APPC <i>Donnelly</i> 8/1/80	DSGN APPD	DRAWING NO
	OTHER APPD <i>REK</i> 8/1/80	SCALE 2:1	C 00779
			553213
			SHEET 1 OF 1

CUSTOMER DRAWING