

4

3

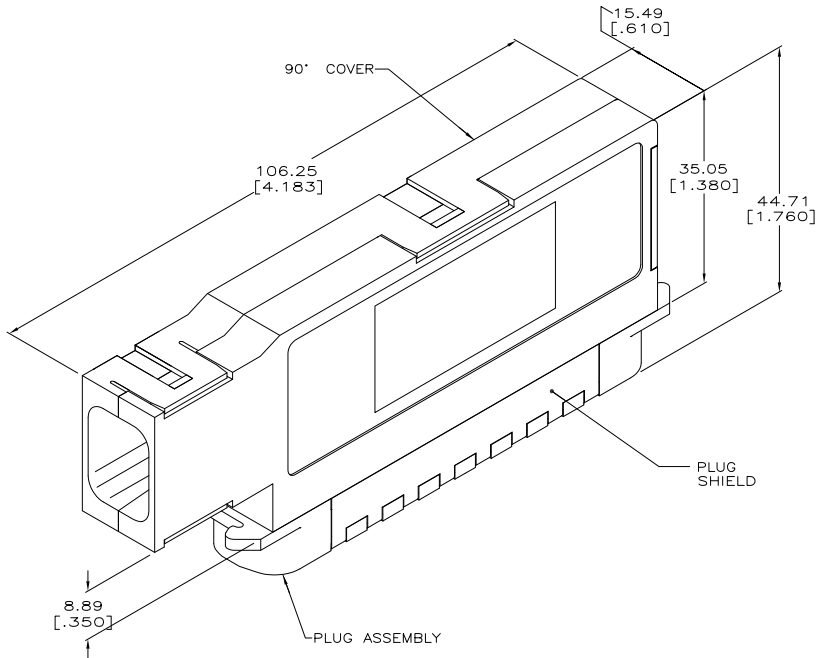
2

1

THIS DRAWING IS UNPUBLISHED. RELEASED FOR PUBLICATION  
 © COPYRIGHT BY TYCO ELECTRONICS CORPORATION. ALL RIGHTS RESERVED.

LOC	DIST	REVISIONS		
GP	00	F LTR	DESCRIPTION	DATE
		G	REVISED PER ECO-06-025935	12/FEB/07
				ZMR/WLM

- THIS ASSEMBLY SHOWN ASSEMBLED BUT SHIPPED UNASSEMBLED.
- MATERIAL: HOUSING - POLYPHENYLENE OXIDE, BLACK. SHIELDS - CARBON STEEL PLATED WITH 5.1µm [.000200] MINIMUM NICKEL. COVERS - ABS MOLDING COMPOUND, PLATED WITH 0.51µm [.000020] MINIMUM ELECTROLYTIC NICKEL OVER 5.1µm [.000200] MINIMUM ELECTROLYTIC COPPER OVER 0.25µm [.000010] MINIMUM ELECTROLESS NICKEL. TERMINAL - PHOSPHOROUS BRONZE PLATED WITH 0.76µm [.000030] MIN GOLD OR GOLD FLASH OVER 0.76µm [.000030] MIN PALLADIUM NICKEL ON CONTACT MATING SURFACE. 1.27µm [.000050] MIN NICKEL UNDERPLATE OVER ENTIRE TERMINAL.
- WIRE SIZE: 24-26 AWG SOLID OR 24 AWG 7-STRANDED COPPER CONDUCTORS. INSULATION DIAMETER 0.73-1.15 [.029-.045] IS ACCEPTABLE FOR MOST APPLICATIONS.
- WIRE SIZE: 22 AWG SOLID OR 7-STRANDED COPPER CONDUCTORS. INSULATION DIAMETER 1.14-1.42 [.045-.056] IS ACCEPTABLE FOR MOST APPLICATIONS.
- ALL DIMENSIONS SHOWN ARE MAXIMUM UNLESS OTHERWISE SPECIFIED.
- CABLE RANGE: 11.43-13.97 [.450-.550] OUTSIDE DIAMETER.
- CABLE RANGE: 13.97-17.78 [.550-.700] OUTSIDE DIAMETER.
- DIMENSIONS SHOWN IN [ ] ARE INCHES.
- KIT PACKAGED 1 PER POLYBAG.
- BULK PACKAGED 100 KITS PER BOX.
- WIRE SIZE: 24 AND 26 AWG SOLID OR STRANDED (7 STRANDS) COPPER CONDUCTORS. MAXIMUM INSULATION DIAMETER 1.32 [.052] IS ACCEPTABLE FOR MOST APPLICATIONS.



	WHITE	K	556624-4
	BLUE	B	556624-3
OBSOLETE	BROWN	F	556624-2
OBSOLETE	BLUE	B	556624-1
	PACKAGING	COLOR DOT	SLOT SIZE
			PART NUMBER

THIS DRAWING IS A CONTROLLED DOCUMENT.		DATE	10-17-89	BY	R. NELSON	TYCO Electronics Corporation
DIMENSIONS: mm [INCHES]		DATE	12-19-89	BY	S. FOX	Harrisburg, PA 17105-3608
TOLERANCES UNLESS OTHERWISE SPECIFIED:		DATE	12-20-89	BY	R. NELSON	
0 PLG	± .005	APPRO		NAME		
1 PLG	± .005	PRODUCT SPEC				
2 PLG	± .005	APPLICATION SPEC		SIZE	A2	00779
3 PLG	± .005	WEIGHT		CAGE CODE		C=556624
4 PLG	± .005	FINISH		DRAWING NO		
ANGLES	± .005			RESTRICTED TO		
				CUSTOMER DRAWING		
				SCALE	2:1	SHEET 1 of 1
						REV G

AMP 1471-9 REV 31MMR2000

556624

A