

Plug Assembly, Vertical

Material and Finish

Housing and tine plate—LCP, rated 94V-0, SMT compatible, black

Contacts—Phosphor bronze, plated .000030 [0.00076] min. gold in mating area, and .00015 [0.0038] min. tin-lead on solder tines, all over .000050 [0.00127] min. nickel underplating

Retention Leg (boardlock)—Brass, plated .00015 [0.0038] tin-lead over .000050 [0.00127] nickel underplating

Related Data

PC Board Accommodation

.031 [0.79] to .063 [1.60] nom. thick

Technical Documents

Product Specification

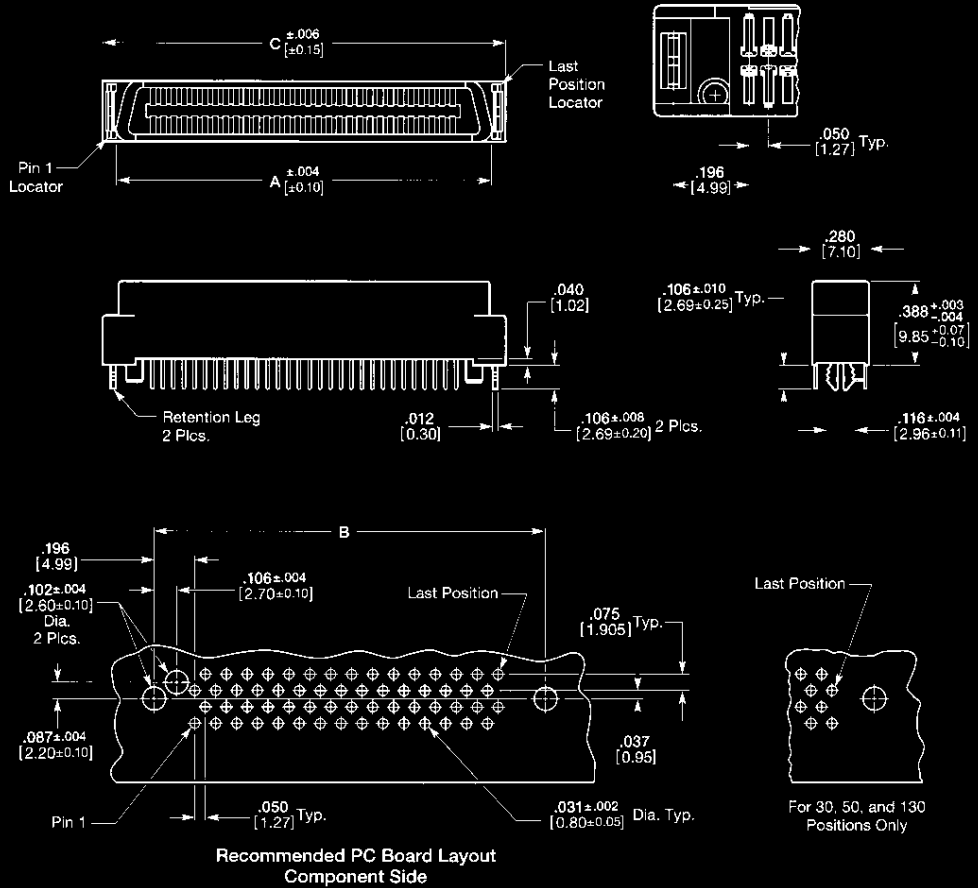
108-1367

Application Specification

114-6045

Instruction Sheet

[S-499]



No. of Positions	Dimensions			Part Numbers
	A	B	C	
30	1.028 26.12	1.093 27.76	1.197 30.40	557102-1
40	1.278 32.47	1.343 34.11	1.447 36.75	557102-5
60	1.778 45.17	1.843 46.81	1.947 49.45	1-557102-3
68*	1.978 50.25	2.043 51.89	2.147 54.53	1-557102-7
80**	2.279 57.87	2.343 59.51	2.447 62.15	2-557102-1
100	2.778 70.57	2.843 72.21	2.947 74.85	2-557102-5
120	3.278 83.27	3.343 84.91	3.447 87.55	2-557102-9
130	3.528 89.61	3.593 91.26	3.697 93.90	3-557102-3
140	3.778 95.97	3.843 97.61	3.947 100.25	4-557102-9
160	4.278 108.67	4.343 110.31	4.447 112.95	3-557102-7
180	4.778 121.37	4.843 123.01	4.947 125.65	5-557102-3
200	5.278 134.07	5.343 135.71	5.447 138.35	4-557102-1

* 68-Position Connector for VMC Standard
**80-Position Connector for VAFC Standard