

**NOTES:**

1. SEE SHEETS 3 AND 4 FOR PART NO'S. AND CHARTED DIMENSIONS.
2. TAIL / PCB PATTERN FIXED AT LAST CIRCUIT POSITIONS FOR ALL CIRCUIT SIZES AT END SHOWN. (B/2).
3. SEE SHEET 2 FOR ALL ADDITIONAL NOTES.
4. THE 'H' DIMENSION APPLIES ONLY TO THE PLASTIC HOUSING AND NOT THE SHIELD.

REMOVE OBSOLETE #S  
 EC NO. UCP2006-2901 2006/06/12  
 DRWNSI BARBA 2006/06/12  
 CHACOBARRER 2006/06/12  
 APPR: SHTLER 2006/06/14

QUALITY SYMBOLS  
 ▽=0  
 ▽=0

GENERAL TOLERANCES (UNLESS SPECIFIED)	
	INCH
4 PLACES	± .005
3 PLACES	± .013
2 PLACES	± .020
1 PLACE	± .030
ANGULAR ±1/2°	

DIMENSION STYLE	
IN/MM	
DRAWN BY	DATE
JLONG	1989/03/27
CHECKED BY	DATE
BOWEN	1989/03/27
APPROVED BY	DATE
DJB	1989/03/27

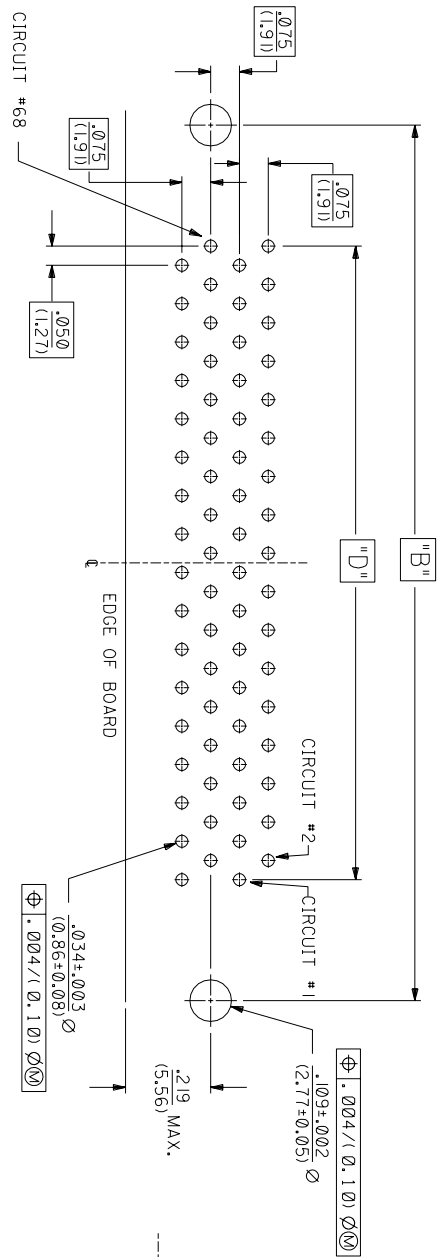
SCALE	DESIGN UNITS	THIRD ANGLE PROJECTION
4:1	INCH	<input checked="" type="checkbox"/>

TITLE: SALES ASSEMBLY SCSI SHIELDED RECEPTACLE

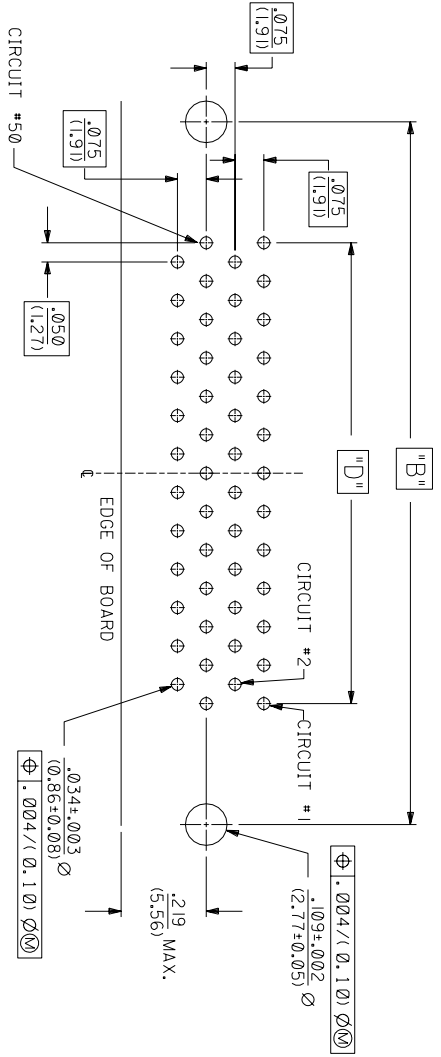
MATERIAL NO. SEE TABLE DOCUMENT NO. SDA-79059-1\*\*\* SHEET NO. 1 OF 4

MOLEX MOLEX INCORPORATED

THIS DRAWING CONTAINS INFORMATION THAT IS PROPRIETARY TO MOLEX INCORPORATED AND SHOULD NOT BE USED WITHOUT WRITTEN PERMISSION



TYPE 1168 CKT P.C. BOARD LAYOUT  
CONNECTOR SIDE (SCALE 4:1)



TYPE 150 CKT P.C. BOARD LAYOUT  
CONNECTOR SIDE (SCALE 4:1)

NOTES:

1. REFER TO PS-79058 PRODUCT SPEC. FOR ELECTRICAL, MECHANICAL AND ENVIRONMENTAL SPECIFICATIONS.

2. MATERIAL:  
RECEPTACLE HOUSING: GLASS FILLED LCP (LIQUID CRYSTAL POLYMER);  
CONTACTS: PHOSPHOR BRONZE  
COLOR-BLACK; UL 94V-0

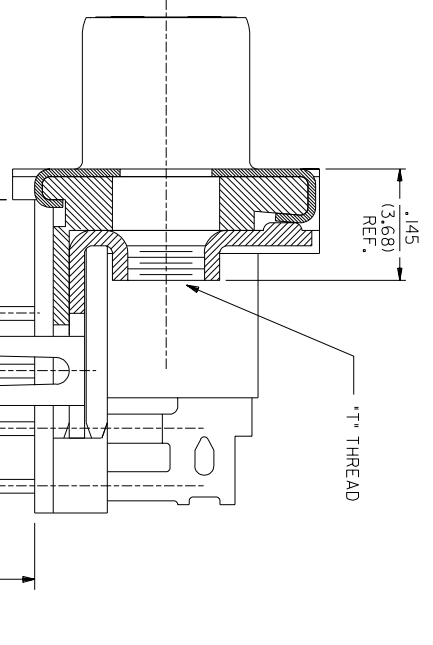
SHIELD: STEEL WITH BRIGHT TIN OVER NICKEL PLATING  
OVER COPPER FLASH.

GROUNDING CLIP: BRASS WITH TIN OVER NICKEL PLATE

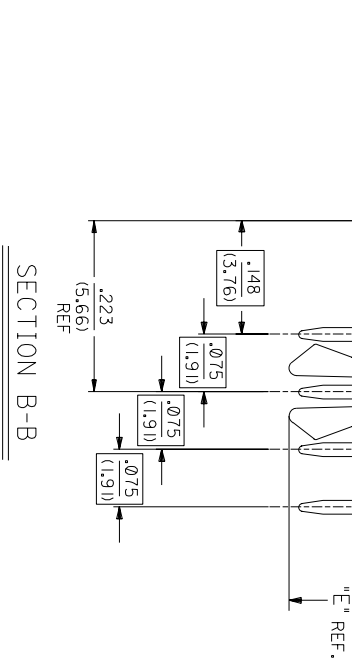
3. PACKAGING:  
PARTS PACKAGED IN TUBES PER PK-70873-0207

4. PLATING:  
SELECTIVE GOLD: THICKNESS= 30 MICRONS/(0.76 MICROMETERS) MINIMUM,  
SELECTIVE TIN: THICKNESS= 75 MICRONS/(1.90 MICROMETERS) MINIMUM,  
NICKEL UNDERPLATE OVERALL.

NOTE FOR LEAD FREE CONVERSION:  
THE PRIMARY SHIPPING CARTON WILL BE LABELED "COMPLIANT TO ROHS DIRECTIVE 2002/95/EC  
AND ELV ANNEX II OF DIRECTIVE 2000/53/EC". CARTONS WITHOUT THIS LABEL MAY CONTAIN  
PRODUCT WITH LEAD.

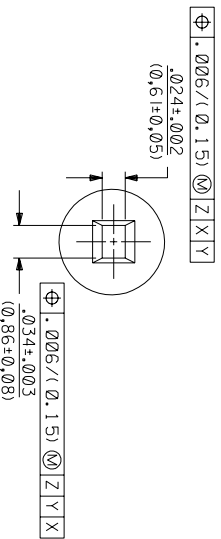


SECTION A-A



SECTION B-B

PIN WINDOW DETAIL  
SCALE 10:1



REV.	DESCRIPTION	DATE
1	REVISIONS	
2	REVISIONS	

REV.	DESCRIPTION	DATE
1	REVISIONS	
2	REVISIONS	

MOLEX INCORPORATED	SHEET NO. 2	DATE 08/14/89
SCSI SHIELDED RECEPTACLE ASSEMBLY	REVISE ONLY ON CAD SYSTEM	
DRG. NO. 6852	FILE NAME SEE CHARTS	SDA-79059-1
DRG. NO. 6852	DRG. NO. 6852	DATE 08/14/89
DRG. NO. 6852	DRG. NO. 6852	DATE 08/14/89

13 12 11 10 9 8 7 6 5 4 3 2 1

ASSEMBLIES WITH .078 DIAMETER END HOLES IN HOUSING AND #2-56 GND CLIPS

EDP/ITEM NUMBER	CKT. SIZE	HOUSING HOLE DIA.	DIM. T GND. CLIP THREAD	DIM. A		DIM. B		DIM. C		DIM. D		DIM. E		DIM. H		DIM. P		RECMD PCB		
				INCH	MM	INCH	MM	INCH	MM	INCH	MM	INCH	MM	INCH	MM	INCH	MM	INCH	MM	INCH
X	50		.078	2-56	2.065	52.54	1.830	46.48	1.366	34.69	1.200	30.48	.105	2.67	.400	10.16	.125	3.18	.062	1.57
X	68		.078	2-56	2.515	63.88	2.280	57.91	1.816	46.13	1.650	41.91	.105	2.67	.400	10.16	.125	3.18	.062	1.57
X	50		.078	2-56	2.065	52.54	1.830	46.48	1.366	34.69	1.200	30.48	.136	3.45	.400	10.16	.125	3.18	.093	2.36
X	68		.078	2-56	2.515	63.88	2.280	57.91	1.816	46.13	1.650	41.91	.136	3.45	.400	10.16	.125	3.18	.093	2.36
X	50		.078	2-56	2.065	52.54	1.830	46.48	1.366	34.69	1.200	30.48	.168	4.27	.400	10.16	.165	4.19	.125	3.18
X	68		.078	2-56	2.515	63.88	2.280	57.91	1.816	46.13	1.650	41.91	.168	4.27	.400	10.16	.165	4.19	.125	3.18

X - NOT TOOLED

ASSEMBLIES WITH .105 DIAMETER END HOLES IN HOUSING AND #4-40 GND CLIPS

015-87-6040	50		.105	4-40	2.065	52.54	1.830	46.48	1.366	34.69	1.200	30.48	.105	2.67	.400	10.16	.125	3.18	.062	1.57
015-87-6200	68		.105	4-40	2.515	63.88	2.280	57.91	1.816	46.13	1.650	41.91	.105	2.67	.400	10.16	.125	3.18	.062	1.57
015-87-6041	50		.105	4-40	2.065	52.54	1.830	46.48	1.366	34.69	1.200	30.48	.136	3.45	.400	10.16	.125	3.18	.093	2.36
015-87-6201	68		.105	4-40	2.515	63.88	2.280	57.91	1.816	46.13	1.650	41.91	.136	3.45	.400	10.16	.125	3.18	.093	2.36
X	50		.105	4-40	2.065	52.54	1.830	46.48	1.366	34.69	1.200	30.48	.168	4.27	.400	10.16	.165	4.19	.125	3.18
X	68		.105	4-40	2.515	63.88	2.280	57.91	1.816	46.13	1.650	41.91	.168	4.27	.400	10.16	.165	4.19	.125	3.18

X - NOT TOOLED

NOTE: ASSEMBLIES LISTED ON THIS SHEET HAVE A SMALLER HOLE DIAMETER FOR INSERTION OF SCREWLOCKS USING A POWER DRIVER.

REMOVE OBSOLETE #S EC NO. UCP2006-2901 O DRWNSI BARBA 2006/06/12 O CHAC BARBER 2006/06/12 O APPR: SHTLER 2006/06/14	QUALITY SYMBOLS ▽=0 ▽=0	GENERAL TOLERANCES (UNLESS SPECIFIED)		DIMENSION STYLE IN/MM		SCALE ---	DESIGN UNITS INCH	THIRD ANGLE PROJECTION		
		4 PLACES ± --- ± ---	3 PLACES ± --- ± .005	2 PLACES ± 0.13 ± ---	1 PLACE ± --- ± ---	DRAWN BY JLONG	DATE 1997/09/29	TITLE SCSI SHIELDED RECEPTACLE ASSEMBLY		
		ANGULAR ±1/2°				CHECKED BY JLONG	DATE 1997/09/29	APPROVED BY JJB		
		DRAFT WHERE APPLICABLE MUST REMAIN WITHIN DIMENSIONS		SEE TABLE		MATERIAL NO. SDA-79059-1***		DOCUMENT NO. SDA-79059-1***		SHEET NO. 3 OF 4

THIS DRAWING CONTAINS INFORMATION THAT IS PROPRIETARY TO MOLEX INCORPORATED AND SHOULD NOT BE USED WITHOUT WRITTEN PERMISSION

ib\_frame\_C\_P\_ME\_T  
Rev. D 2004/04/02

12 11 10 9 8 7 6 5 4 3 2 1