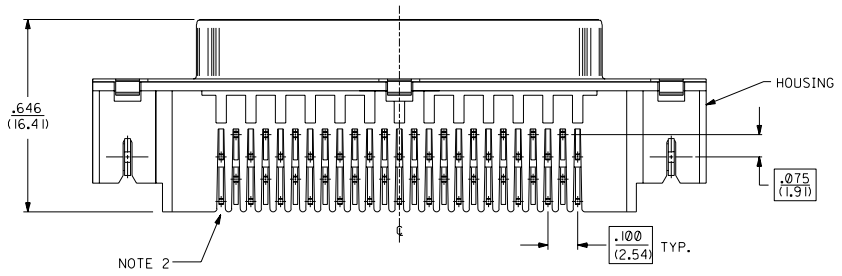
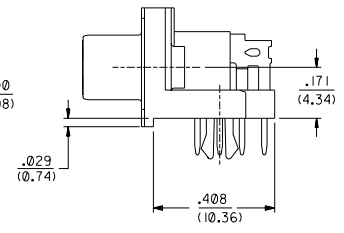
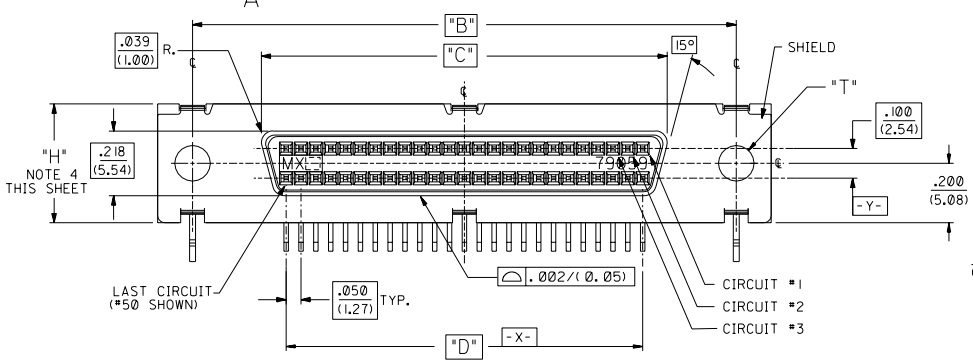
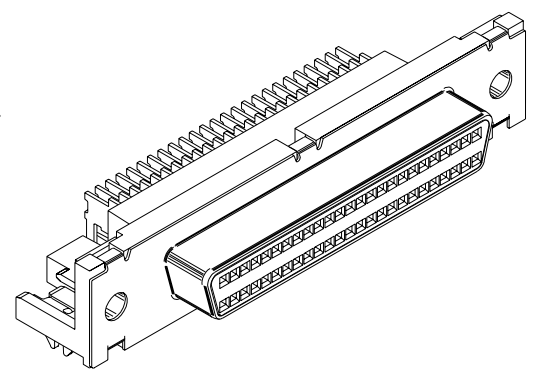
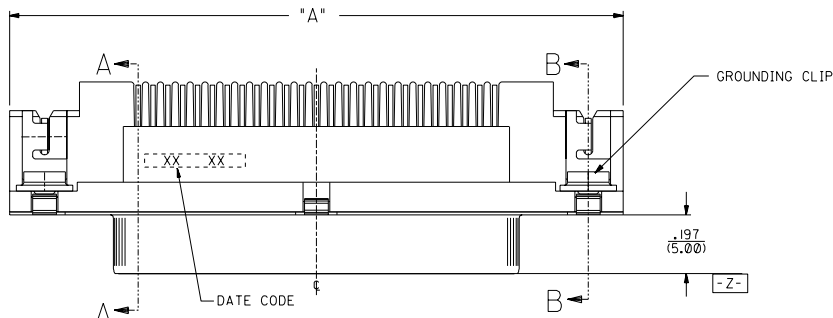


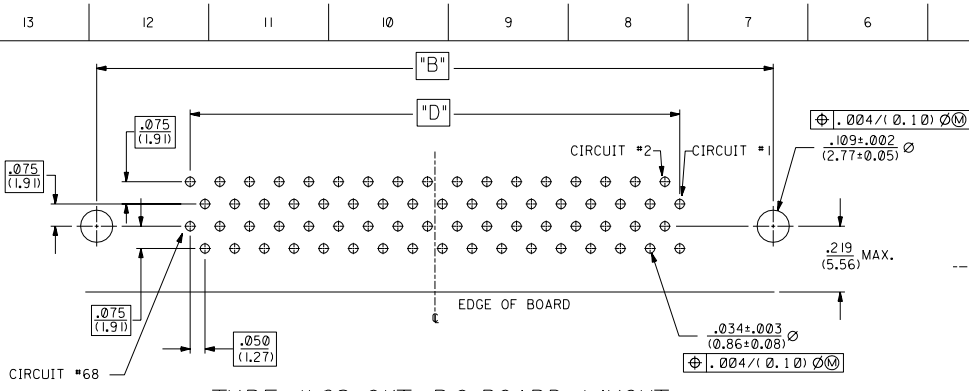
79059



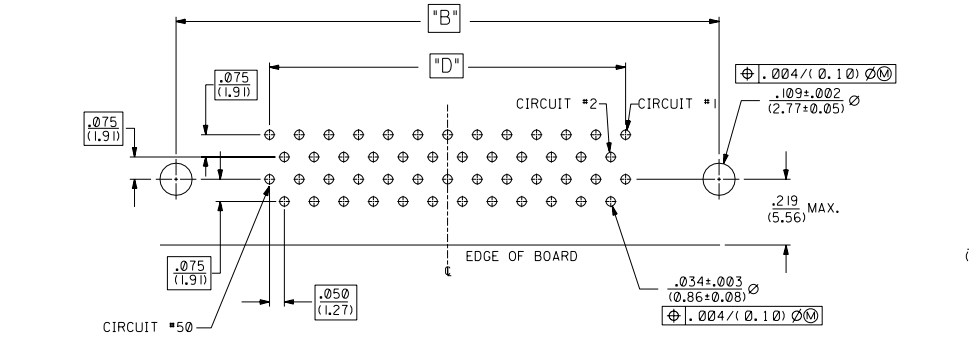
- NOTES:
1. SEE SHEETS 3 AND 4 FOR PART NO'S. AND CHARTED DIMENSIONS.
 2. TAIL / PCB PATTERN FIXED AT LAST CIRCUIT POSITIONS FOR ALL CIRCUIT SIZES AT END SHOWN. (B12).
 3. SEE SHEET 2 FOR ALL ADDITIONAL NOTES.
 4. THE "H" DIMENSION APPLIES ONLY TO THE PLASTIC HOUSING AND NOT THE SHIELD.

4	N
3	N
2	N
1	N
MFG, SH, REV.	

		L	NOTES ON SHEETS 4,5 FOR SCREW LOKS ECN UCP2004-0240 RW/WHITE 03/07/31	DIMENSIONS SHOWN (METRIC) INCH UNLESS OTHERWISE SPECIFIED TOLERANCES ANGULAR ± 1/2°		REVISE ONLY ON CAD SYSTEM	
N	OBsolete PART # ECP* UCP2005-0311 BSMART 04/08/03	K2	ADDED NOT TOOLED TO CHART PER EC *JDT 1959-0167 J. LONG 1959/09/08	INCH	METRIC	TITLE SALES ASSEMBLY SCSI SHIELDED RECEPTACLE	
M	LEADFREE ECP* UCP2004-1925 DMORGAN 04/04/06	K1	REVISED CHART PER EC * U81346 J. LONG 97/12/12	± .005	---	MOLEX INCORPORATED SHEET NO. DATE LIT/EA/L 68532 U.S.A. 1 OF 4 03/27/89	
LTR.	REVISIONS	LTR.	REVISIONS	± .13	---	SEE CHARTS SDA-79059-***	
				± ---	---	NO DRAWING CONTACT INFORMATION SHALL BE PROVIDED TO MOLEX INC. AND SHOULD NOT BE USED WITHOUT WRITTEN PERMISSION.	
				DRAFT WHERE APPLICABLE MUST REMAIN WITHIN DIMENSIONS		FILE NAME S79059A1	
				ORIG. BY DJB		SCALE 4 : 1	
				CHKD. BY BOWEN		DIV. DC	
				APP'D.		SIZE C	

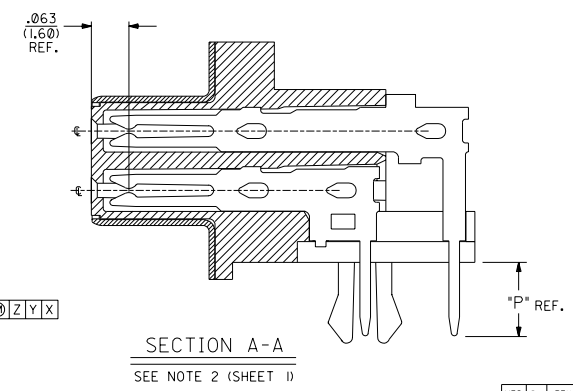
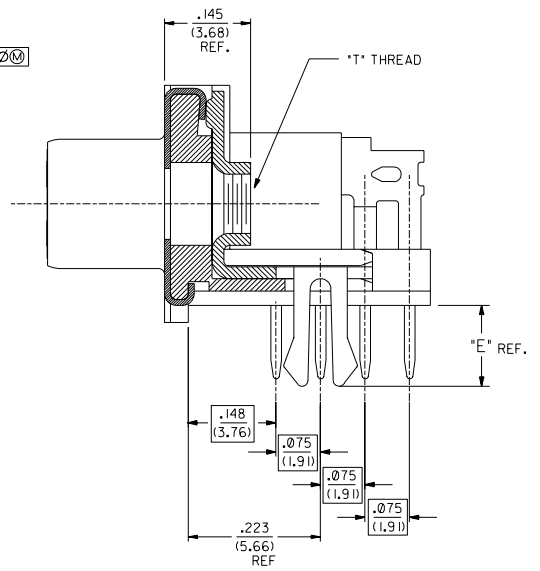
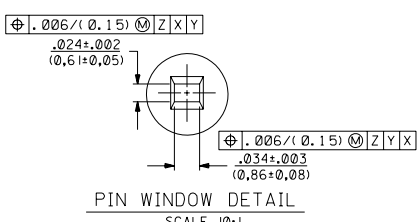


TYPE 1168 CKT P.C. BOARD LAYOUT
CONNECTOR SIDE (SCALE 4:1)



TYPE 150 CKT P.C. BOARD LAYOUT
CONNECTOR SIDE (SCALE 4:1)

- NOTES:
- REFER TO PS-79058 PRODUCT SPEC. FOR ELECTRICAL, MECHANICAL AND ENVIRONMENTAL SPECIFICATIONS.
 - MATERIAL:
RECEPTACLE HOUSING: GLASS FILLED LCP (LIQUID CRYSTAL POLYMER); COLOR-BLACK; UL 94V-0
CONTACTS: PHOSPHOR BRONZE
SHIELD: STEEL WITH BRIGHT TIN OVER NICKEL PLATING OVER COPPER FLASH.
GROUNDING CLIP: BRASS WITH TIN OVER NICKEL PLATE
 - PACKAGING:
PARTS PACKAGED IN TUBES PER PK-70873-0207
 - PLATING:
SELECTIVE GOLD: THICKNESS= 30 MICRONS/(0.76 MICROMETERS) MINIMUM.
SELECTIVE TIN: THICKNESS= 75 MICRONS/(1.90 MICROMETERS) MINIMUM.
NICKEL UNDERPLATE OVERALL.
- NOTE FOR LEAD FREE CONVERSION:
THE PRIMARY SHIPPING CARTON WILL BE LABELED "COMPLIANT TO RoHS DIRECTIVE 2002/95/EC AND ELV ANNEX II OF DIRECTIVE 2000/53/EC". CARTONS WITHOUT THIS LABEL MAY CONTAIN PRODUCT WITH LEAD.



LTR. REVISIONS		LTR. REVISIONS		K SEE SHEET 1		J1 SEE SHEET 1		I SEE SHEET 1		M SEE SHEET 1		MFG. SH. REV.																																					
<table border="1"> <tr> <th colspan="2">DIMENSIONS SHOWN IN METRIC INCH</th> <th colspan="2">UNLESS OTHERWISE SPECIFIED TOLERANCES ANGULAR 1/32"</th> </tr> <tr> <td>3 PLACE ±</td> <td>.005</td> <td>---</td> <td>---</td> </tr> <tr> <td>2 PLACE ±</td> <td>---</td> <td>± 0.15</td> <td>---</td> </tr> <tr> <td>1 PLACE</td> <td>---</td> <td>± ---</td> <td>---</td> </tr> </table>										DIMENSIONS SHOWN IN METRIC INCH		UNLESS OTHERWISE SPECIFIED TOLERANCES ANGULAR 1/32"		3 PLACE ±	.005	---	---	2 PLACE ±	---	± 0.15	---	1 PLACE	---	± ---	---	<table border="1"> <tr> <th colspan="2">TITLE</th> <th colspan="2">REVISE ONLY ON CAD SYSTEM</th> </tr> <tr> <td colspan="2">SCSI SHIELDED RECEPTACLE ASSEMBLY</td> <td colspan="2"></td> </tr> <tr> <td colspan="2">MOLEX INCORPORATED</td> <td>SHEET NO. 2</td> <td>DATE 08/14/89</td> </tr> <tr> <td colspan="2">FILE NAME 579058A2</td> <td colspan="2">DRWG. NO. SDA-79059-1A</td> </tr> <tr> <td colspan="2">APP'D. DJB</td> <td colspan="2">DC IC</td> </tr> </table>				TITLE		REVISE ONLY ON CAD SYSTEM		SCSI SHIELDED RECEPTACLE ASSEMBLY				MOLEX INCORPORATED		SHEET NO. 2	DATE 08/14/89	FILE NAME 579058A2		DRWG. NO. SDA-79059-1A		APP'D. DJB		DC IC	
DIMENSIONS SHOWN IN METRIC INCH		UNLESS OTHERWISE SPECIFIED TOLERANCES ANGULAR 1/32"																																															
3 PLACE ±	.005	---	---																																														
2 PLACE ±	---	± 0.15	---																																														
1 PLACE	---	± ---	---																																														
TITLE		REVISE ONLY ON CAD SYSTEM																																															
SCSI SHIELDED RECEPTACLE ASSEMBLY																																																	
MOLEX INCORPORATED		SHEET NO. 2	DATE 08/14/89																																														
FILE NAME 579058A2		DRWG. NO. SDA-79059-1A																																															
APP'D. DJB		DC IC																																															