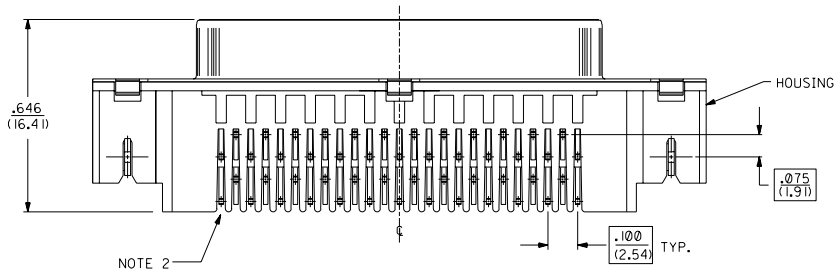
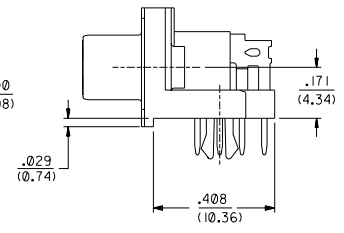
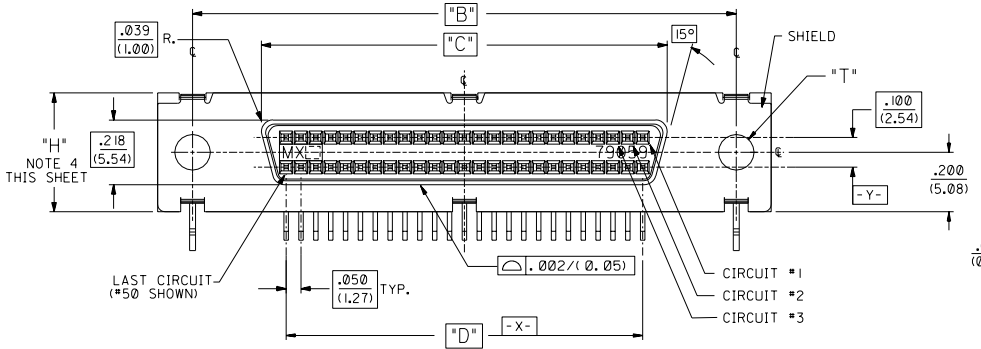
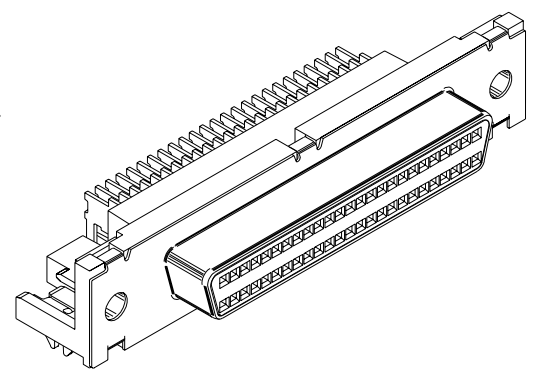
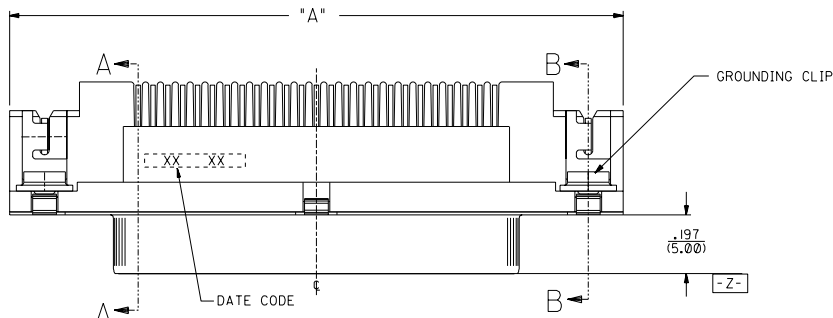


79059 4 3 2 1

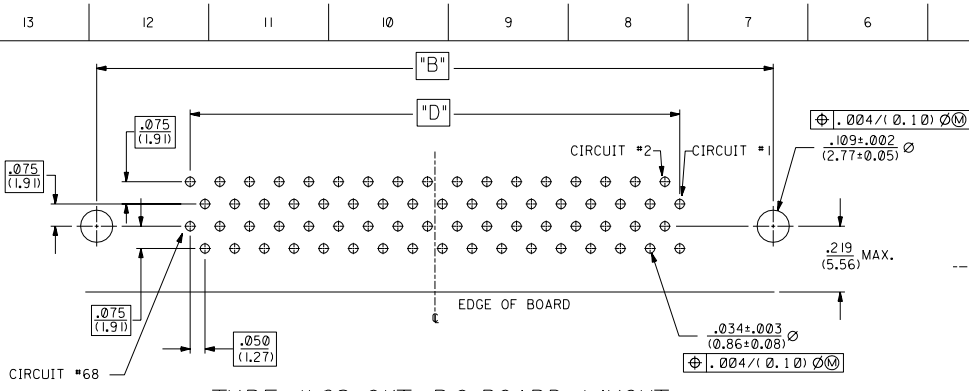


- NOTES:
1. SEE SHEETS 3 AND 4 FOR PART NO'S. AND CHARTED DIMENSIONS.
 2. TAIL / PCB PATTERN FIXED AT LAST CIRCUIT POSITIONS FOR ALL CIRCUIT SIZES AT END SHOWN. (B12).
 3. SEE SHEET 2 FOR ALL ADDITIONAL NOTES.
 4. THE "H" DIMENSION APPLIES ONLY TO THE PLASTIC HOUSING AND NOT THE SHIELD.

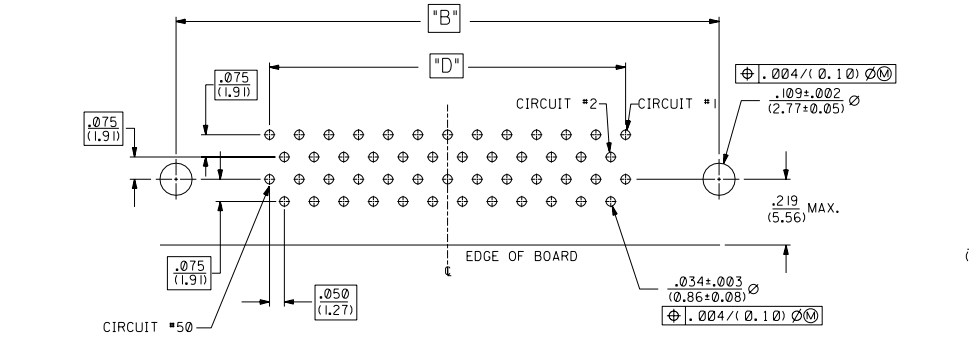
4	N
3	N
2	N
1	N
MFG, SH, REV.	

		L	NOTES ON SHEETS 4,5 FOR SCREW LOKS ECN UCP2004-0240 RW/WHITE 03/07/31	DIMENSIONS SHOWN (METRIC) INCH UNLESS OTHERWISE SPECIFIED TOLERANCES ANGULAR $\pm 1/2^\circ$		REVISE ONLY ON CAD SYSTEM	
N	OBsolete PART # ECN* UCP2005-0311 BSMART 04/08/03	K2	ADDED NOT TOOLED TO CHART PER EC *JDT 1959-0167 J. LONG 1959/09/08	INCH	METRIC	TITLE SALES ASSEMBLY SCSI SHIELDED RECEPTACLE	
M	LEADFREE ECN* UCP2004-1925 DMORGAN 04/04/06	K1	REVISED CHART PER EC * U81346 J. LONG 97/12/12	3 PLACE $\pm .005$	---	MOLEX INCORPORATED SHEET NO. DATE LIT/EA/L 68532 U.S.A. 1 OF 4 03/27/89	
LTR.	REVISIONS	LTR.	REVISIONS	1 PLACE $\pm .013$	---	SEE CHARTS SDA-79059-***	
				2 PLACE $\pm .03$	---	NO DRAWING CONTACT INFORMATION SHALL BE PRINTED ON IT UNLESS MOLEX INC. HAS WRITTEN PERMISSION.	
				1 PLACE $\pm .05$	---	DC C	
				DRAFT WHERE APPLICABLE MUST REMAIN WITHIN DIMENSIONS			
				DRG. BY DJB	CHK'D BY BOWEN		
				SCALE 4 : 1			

13 12 11 10 9 8 7 6 5 4 3 2 1

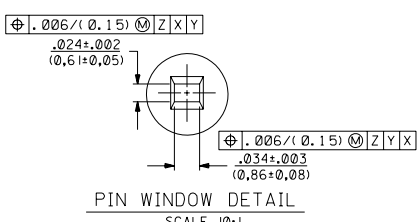


TYPE 1168 CKT P.C. BOARD LAYOUT
CONNECTOR SIDE (SCALE 4:1)

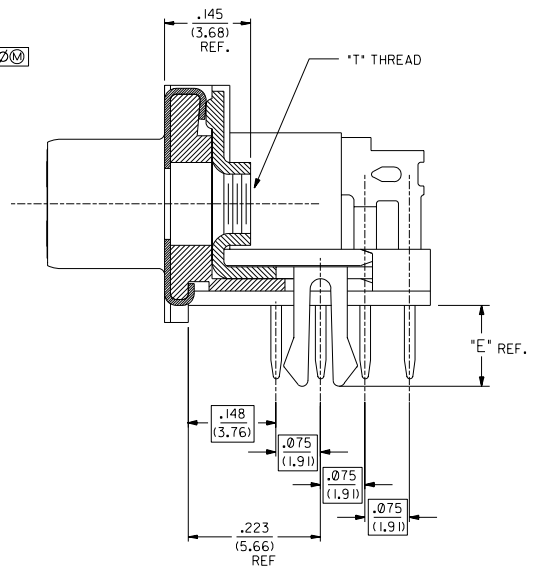


TYPE 150 CKT P.C. BOARD LAYOUT
CONNECTOR SIDE (SCALE 4:1)

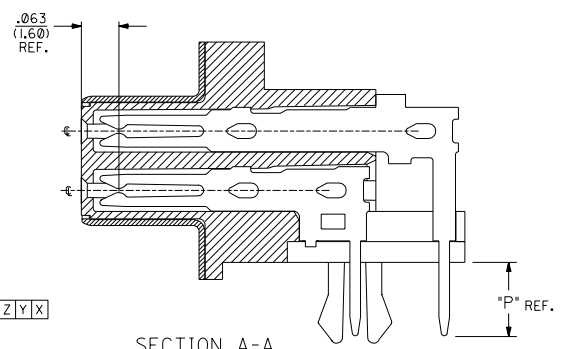
- NOTES:
- REFER TO PS-79058 PRODUCT SPEC. FOR ELECTRICAL, MECHANICAL AND ENVIRONMENTAL SPECIFICATIONS.
 - MATERIAL:
RECEPTACLE HOUSING: GLASS FILLED LCP (LIQUID CRYSTAL POLYMER); COLOR-BLACK; UL 94V-0
CONTACTS: PHOSPHOR BRONZE
SHIELD: STEEL WITH BRIGHT TIN OVER NICKEL PLATING OVER COPPER FLASH.
GROUNDING CLIP: BRASS WITH TIN OVER NICKEL PLATE
 - PACKAGING:
PARTS PACKAGED IN TUBES PER PK-70873-0207
 - PLATING:
SELECTIVE GOLD: THICKNESS= 30 MICRONS/(0.76 MICROMETERS) MINIMUM.
SELECTIVE TIN: THICKNESS= 75 MICRONS/(1.90 MICROMETERS) MINIMUM.
NICKEL UNDERPLATE OVERALL.
- NOTE FOR LEAD FREE CONVERSION:
THE PRIMARY SHIPPING CARTON WILL BE LABELED "COMPLIANT TO RoHS DIRECTIVE 2002/95/EC AND ELV ANNEX II OF DIRECTIVE 2000/53/EC". CARTONS WITHOUT THIS LABEL MAY CONTAIN PRODUCT WITH LEAD.



PIN WINDOW DETAIL
SCALE 10:1



SECTION B-B



SECTION A-A
SEE NOTE 2 (SHEET 1)

LTR. REVISIONS		LTR. REVISIONS		MFG. SH. REV.																															
N	SEE SHEET 1	J1	SEE SHEET 1	REVISIONS																															
M	SEE SHEET 1	I	SEE SHEET 1	REVISIONS																															
<table border="1"> <tr> <th colspan="2">DIMENSIONS SHOWN IN METRIC INCH</th> </tr> <tr> <td>INCH</td> <td>METRIC</td> </tr> <tr> <td>3 PLACE ± .005</td> <td>---</td> </tr> <tr> <td>2 PLACE ± --- ± 0.15</td> <td>---</td> </tr> <tr> <td>1 PLACE --- ± ---</td> <td>---</td> </tr> </table>				DIMENSIONS SHOWN IN METRIC INCH		INCH	METRIC	3 PLACE ± .005	---	2 PLACE ± --- ± 0.15	---	1 PLACE --- ± ---	---	<table border="1"> <tr> <th colspan="2">TITLE</th> <th colspan="2">REVISE ONLY ON CAD SYSTEM</th> </tr> <tr> <td colspan="4">SCSI SHIELDED RECEPTACLE ASSEMBLY</td> </tr> <tr> <td colspan="2">PART NO. 1515EJLL</td> <td colspan="2">SHEET NO. 2</td> </tr> <tr> <td colspan="2">MOLLEX INCORPORATED</td> <td colspan="2">DATE 08/14/89</td> </tr> <tr> <td colspan="2">68532</td> <td colspan="2">U.S.A.</td> </tr> </table>		TITLE		REVISE ONLY ON CAD SYSTEM		SCSI SHIELDED RECEPTACLE ASSEMBLY				PART NO. 1515EJLL		SHEET NO. 2		MOLLEX INCORPORATED		DATE 08/14/89		68532		U.S.A.	
DIMENSIONS SHOWN IN METRIC INCH																																			
INCH	METRIC																																		
3 PLACE ± .005	---																																		
2 PLACE ± --- ± 0.15	---																																		
1 PLACE --- ± ---	---																																		
TITLE		REVISE ONLY ON CAD SYSTEM																																	
SCSI SHIELDED RECEPTACLE ASSEMBLY																																			
PART NO. 1515EJLL		SHEET NO. 2																																	
MOLLEX INCORPORATED		DATE 08/14/89																																	
68532		U.S.A.																																	
<table border="1"> <tr> <td>DRG. BY: DJB</td> <td>CHKD: BOWEN</td> <td>FILE NAME: S79058A2</td> <td>DRG. NO.: SDA-79059-1A</td> </tr> <tr> <td>APP'D:</td> <td>SCALE: 8:1</td> <td>DRG. DATE:</td> <td>SIZE: DC</td> </tr> </table>				DRG. BY: DJB	CHKD: BOWEN	FILE NAME: S79058A2	DRG. NO.: SDA-79059-1A	APP'D:	SCALE: 8:1	DRG. DATE:	SIZE: DC	<p>THIS DRAWING CONTAINS INFORMATION THAT IS PROPRIETARY TO MOLLEX INC. AND SHOULD NOT BE USED WITHOUT WRITTEN PERMISSION.</p>																							
DRG. BY: DJB	CHKD: BOWEN	FILE NAME: S79058A2	DRG. NO.: SDA-79059-1A																																
APP'D:	SCALE: 8:1	DRG. DATE:	SIZE: DC																																