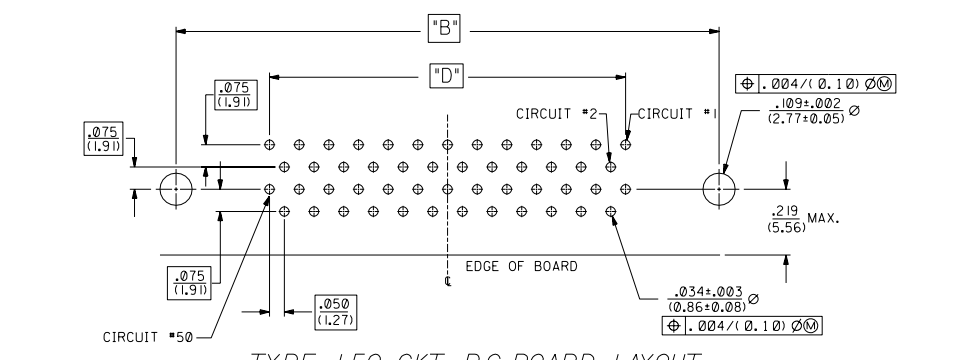
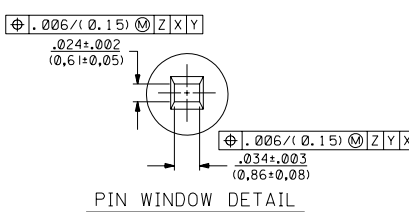


TYPE 1168 CKT P.C. BOARD LAYOUT
CONNECTOR SIDE (SCALE 4:1)

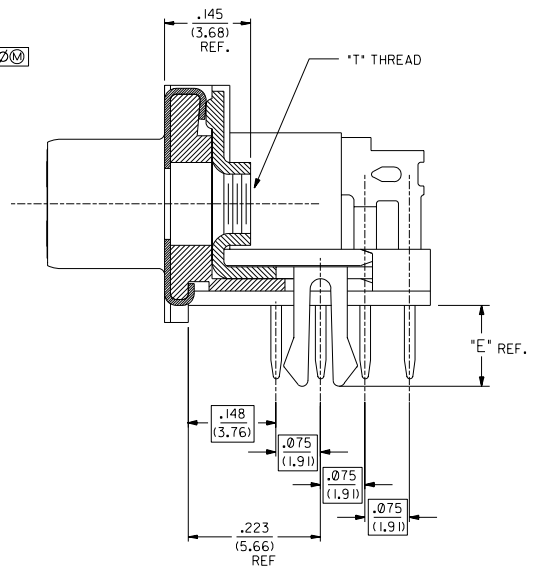


TYPE 150 CKT P.C. BOARD LAYOUT
CONNECTOR SIDE (SCALE 4:1)

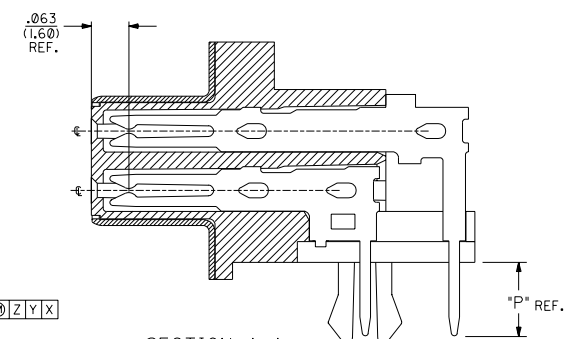
- NOTES:
- REFER TO PS-79058 PRODUCT SPEC. FOR ELECTRICAL, MECHANICAL AND ENVIRONMENTAL SPECIFICATIONS.
 - MATERIAL:
RECEPTACLE HOUSING: GLASS FILLED LCP (LIQUID CRYSTAL POLYMER); COLOR-BLACK; UL 94V-0
CONTACTS: PHOSPHOR BRONZE
SHIELD: STEEL WITH BRIGHT TIN OVER NICKEL PLATING OVER COPPER FLASH.
GROUNDING CLIP: BRASS WITH TIN OVER NICKEL PLATE
 - PACKAGING:
PARTS PACKAGED IN TUBES PER PK-70873-0207
 - PLATING:
SELECTIVE GOLD: THICKNESS= 30 MICRONS/(0.76 MICROMETERS) MINIMUM.
SELECTIVE TIN: THICKNESS= 75 MICRONS/(1.90 MICROMETERS) MINIMUM.
NICKEL UNDERPLATE OVERALL.
- NOTE FOR LEAD FREE CONVERSION:
THE PRIMARY SHIPPING CARTON WILL BE LABELED "COMPLIANT TO RoHS DIRECTIVE 2002/95/EC AND ELV ANNEX II OF DIRECTIVE 2000/53/EC". CARTONS WITHOUT THIS LABEL MAY CONTAIN PRODUCT WITH LEAD.



PIN WINDOW DETAIL
SCALE 10:1



SECTION B-B



SECTION A-A
SEE NOTE 2 (SHEET 1)

LTR. REVISIONS		LTR. REVISIONS		K SEE SHEET 1		J1 SEE SHEET 1		I SEE SHEET 1		M SEE SHEET 1		N SEE SHEET 1																																	
<table border="1"> <tr> <th colspan="2">DIMENSIONS SHOWN IN METRIC INCH</th> <th colspan="2">UNLESS OTHERWISE SPECIFIED TOLERANCES ANGULAR 1/32"</th> </tr> <tr> <td>3 PLACES ±</td> <td>.005</td> <td>---</td> <td>---</td> </tr> <tr> <td>2 PLACES ±</td> <td>---</td> <td>± 0.15</td> <td>---</td> </tr> <tr> <td>1 PLACE</td> <td>---</td> <td>± ---</td> <td>---</td> </tr> </table>												DIMENSIONS SHOWN IN METRIC INCH		UNLESS OTHERWISE SPECIFIED TOLERANCES ANGULAR 1/32"		3 PLACES ±	.005	---	---	2 PLACES ±	---	± 0.15	---	1 PLACE	---	± ---	---	<table border="1"> <tr> <th colspan="2">REVISIONS</th> <th colspan="2">REVISE ONLY ON CAD SYSTEM</th> </tr> <tr> <td>DATE</td> <td>BY</td> <td>DATE</td> <td>BY</td> </tr> <tr> <td>08/14/89</td> <td></td> <td></td> <td></td> </tr> </table>		REVISIONS		REVISE ONLY ON CAD SYSTEM		DATE	BY	DATE	BY	08/14/89							
DIMENSIONS SHOWN IN METRIC INCH		UNLESS OTHERWISE SPECIFIED TOLERANCES ANGULAR 1/32"																																											
3 PLACES ±	.005	---	---																																										
2 PLACES ±	---	± 0.15	---																																										
1 PLACE	---	± ---	---																																										
REVISIONS		REVISE ONLY ON CAD SYSTEM																																											
DATE	BY	DATE	BY																																										
08/14/89																																													
<table border="1"> <tr> <td>DRG. NO.</td> <td>FILE NAME</td> <td>DRG. NO.</td> <td>FILE NAME</td> </tr> <tr> <td>151EJLL</td> <td>579058A2</td> <td>68532</td> <td>DCI</td> </tr> </table>										DRG. NO.	FILE NAME	DRG. NO.	FILE NAME	151EJLL	579058A2	68532	DCI	<table border="1"> <tr> <td colspan="2">TITLE</td> <td colspan="2">REVISE ONLY ON CAD SYSTEM</td> </tr> <tr> <td colspan="2">SCSI SHIELDED RECEPTACLE ASSEMBLY</td> <td colspan="2"></td> </tr> <tr> <td colspan="2">PART NO.</td> <td colspan="2">SHEET NO.</td> </tr> <tr> <td colspan="2">MOLEX INCORPORATED</td> <td colspan="2">2</td> </tr> <tr> <td colspan="2">DATE</td> <td colspan="2">DATE</td> </tr> <tr> <td colspan="2">08/14/89</td> <td colspan="2">08/14/89</td> </tr> </table>				TITLE		REVISE ONLY ON CAD SYSTEM		SCSI SHIELDED RECEPTACLE ASSEMBLY				PART NO.		SHEET NO.		MOLEX INCORPORATED		2		DATE		DATE		08/14/89		08/14/89	
DRG. NO.	FILE NAME	DRG. NO.	FILE NAME																																										
151EJLL	579058A2	68532	DCI																																										
TITLE		REVISE ONLY ON CAD SYSTEM																																											
SCSI SHIELDED RECEPTACLE ASSEMBLY																																													
PART NO.		SHEET NO.																																											
MOLEX INCORPORATED		2																																											
DATE		DATE																																											
08/14/89		08/14/89																																											
<table border="1"> <tr> <td>DRG. BY</td> <td>CHKD. BY</td> <td>DRG. NO.</td> <td>FILE NAME</td> </tr> <tr> <td>DJB</td> <td>BOWEN</td> <td>SDA-79059-1</td> <td>579058A2</td> </tr> </table>										DRG. BY	CHKD. BY	DRG. NO.	FILE NAME	DJB	BOWEN	SDA-79059-1	579058A2	<table border="1"> <tr> <td colspan="2">SEE CHARTS</td> <td colspan="2">THIS DRAWING CONTAINS INFORMATION THAT IS PROPRIETARY TO MOLEX INC. AND SHOULD NOT BE USED WITHOUT WRITTEN PERMISSION.</td> </tr> <tr> <td>DCI</td> <td>DCI</td> <td>DCI</td> <td>DCI</td> </tr> </table>				SEE CHARTS		THIS DRAWING CONTAINS INFORMATION THAT IS PROPRIETARY TO MOLEX INC. AND SHOULD NOT BE USED WITHOUT WRITTEN PERMISSION.		DCI	DCI	DCI	DCI																
DRG. BY	CHKD. BY	DRG. NO.	FILE NAME																																										
DJB	BOWEN	SDA-79059-1	579058A2																																										
SEE CHARTS		THIS DRAWING CONTAINS INFORMATION THAT IS PROPRIETARY TO MOLEX INC. AND SHOULD NOT BE USED WITHOUT WRITTEN PERMISSION.																																											
DCI	DCI	DCI	DCI																																										