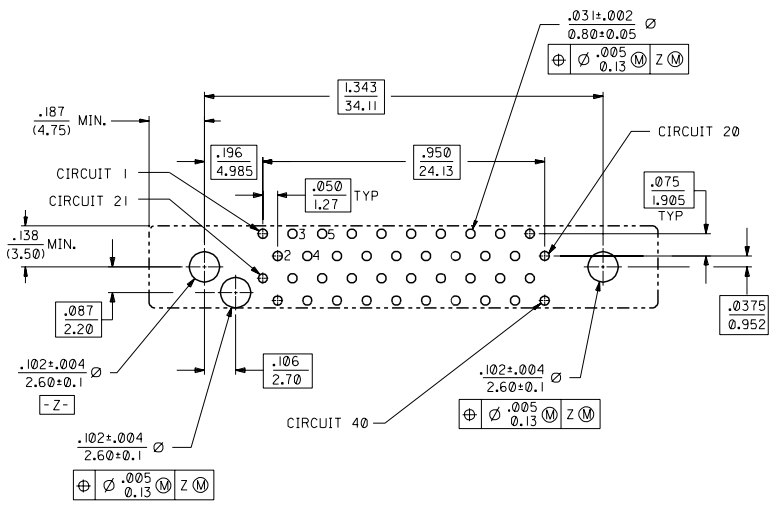
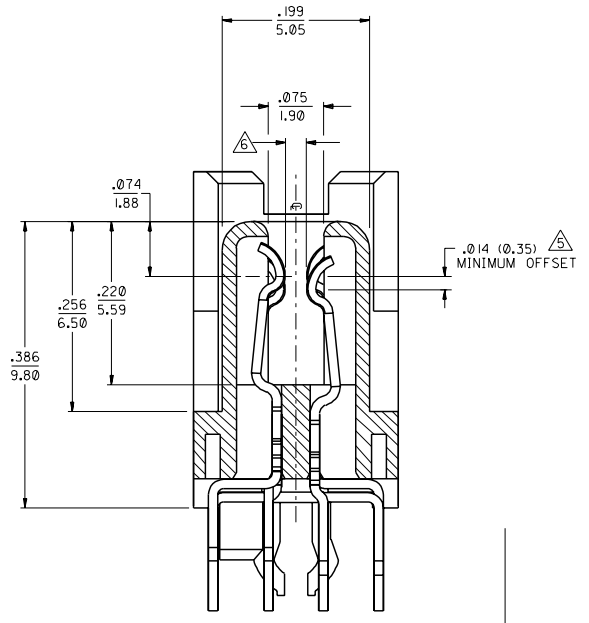
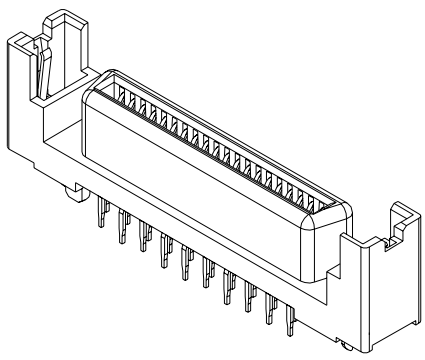


13 12 11 10 9 8 7 6 71743 4 3 2 1



RECOMMENDED PC BOARD LAYOUT COMPONENT SIDE

G	SEE SHEET 1
---	-------------

DIMENSIONS SHOWN (METRIC) INCH		REVISIONS	
UNLESS OTHERWISE SPECIFIED TOLERANCES ANGULAR 1/2°		MFG. SH.	REV. LTR.
TITLE		REVISE ONLY ON CAD SYSTEM	
SALES ASSEMBLY			
EBBI VERTICAL RECEPTACLE			
40 CKT FIBRE CHANNEL CONN			
MOLEX INCORPORATED		SHEET NO.	DATE
68532		2	7/21/95
PART NO.		DRAWING NO.	
SEE TABLE		SDA-71743-104	
DRW'G. BY: RAN	CHK'D. BY: RAN	FILE NAME	DRY.
APP'D. BY: CWF	SCALE: 4:1	S71743X4	SIZE: C

13 12 11 10 9 8 7 6 5 4 3 2 1